

SERIAL NO. \_\_\_\_\_

INSTRUCTION BOOK

FOR

MODEL RBK-15

RADIO RECEIVING EQUIPMENT

FOR

AMPLITUDE AND FREQUENCY MODULATED SIGNALS

FREQUENCY RANGE — 27.8 to 143 MEGACYCLES

CONTRACT No. NObsr-39304

*the* hallicrafters *co.*

CHICAGO, ILL., U. S. A.

INSTRUCTION BOOK  
 FOR  
 MODEL BRK-( )  
 RADIO RECEIVING EQUIPMENT  
 FOR  
 AMPLITUDE AND FREQUENCY MODULATED SIGNALS  
 FREQUENCY RANGE: 27.8 to 143 MEGACYCLES

TABLE OF CONTENTS

| <u>Subject</u>                               | <u>Page</u> |
|--|-------------|
| A - DESCRIPTION OF EQUIPMENT . . . . .       | 1           |
| B - INSTALLATION . . . . .                   | 8           |
| C - ADJUSTMENT AND OPERATION . . . . .       | 9           |
| D - ALIGNMENT AND SERVICE. . . . .           | 12          |
| E - ELECTRICAL AND MECHANICAL DATA . . . . . | 15          |
| F - LIST OF REPLACEABLE PARTS. . . . .       | 19          |

TABLE OF ILLUSTRATIONS

| <u>Figure</u>   | <u>Page</u> |
|---|-------------|
| Figure 1. Radio Receiver CHL-46298, Front View. . . . .                   | 11          |
| Figure 2. Radio Receiver CHL-46298, Block Diagram . . . . .               | 1           |
| Figure 3. Radio Receiver CHL-46298, Schematic Diagram . . . . .           | 3           |
| Figure 4. Radio Receiver CHL-46298, Top View of Chassis . . . . .         | 5           |
| Figure 5. Radio Receiver CHL-46298, Bottom View of Chassis. . . . .       | 6           |
| Figure 6. Radio Receiver CHL-46298, Top Rear View . . . . .               | 7           |
| Figure 7. D-C Power Plug Connections. . . . .                             | 8           |
| Figure 8. Radio Receiver CHL-46298, Top View Showing Alignment Points . . | 11          |
| Figure 9. Recommended Antenna Installations . . . . .                     | 17          |
| Figure 10. Radio Receiver CHL-46298, Outline Dimensional Sketch. . . . .  | 18          |



Figure 1. Radio Receiver CHL-46208, Front View

# INSTRUCTION BOOK FOR MODEL RBK-( ) RADIO RECEIVING EQUIPMENT

## A. DESCRIPTION OF EQUIPMENT

**A-1. GENERAL.**— The Model RBK-( ) radio receiving equipment consists of a type CHL-46298 ultra-high frequency radio receiver mounted in a sheet steel table mounted cabinet. The receiver is entirely self contained except for headset or speaker, panoramic adapter, and 115/230-volt source.

**A-2. RECEIVER UNIT.**— Radio Receiver CHL-46298 is a ultra-high frequency super-hetrodyne radio receiver capable of receiving both amplitude modulated (A-M) and frequency modulated (F-M) phone signals and continuous wave (C-W) telegraph signals. Automatic volume control (A-V-C) and automatic noise limiter (A-N-L) circuits are incorporated. See figure 3 for the schematic circuit diagram.

a. The frequency range of the receiver is from 27.8 megacycles to 143 megacycles and is divided into three bands. Each band is provided with sufficient overlap to insure continuity of coverage over the entire tuning range.

b. The complete tube complement is as follows:

| Symbol         | Tube Type | Function  |
|----------------|-----------|---|
| V <sub>1</sub> | JAN- 956  | R-F amplifier                                   |
| V <sub>2</sub> | JAN- 954  | Converter                                       |
| V <sub>3</sub> | JAN- 6AC7 | 1st I-F amplifier                               |
| V <sub>4</sub> | JAN- 6AB7 | 2nd I-F amplifier                               |
| V <sub>5</sub> | JAN- 6SK7 | 3rd I-F amplifier                               |
| V <sub>6</sub> | JAN- 6H6  | A-M second detector and automatic noise limiter |

|                 |                        |                           |
|-----------------|------------------------|---------------------------|
| V <sub>7</sub>  | JAN- 6AC7              | F-M limiter               |
| V <sub>8</sub>  | JAN- 6H6               | F-M discriminator         |
| V <sub>9</sub>  | JAN- 6SL7GT            | Audio voltage amplifier   |
| V <sub>10</sub> | JAN- OD3/<br>VR-150/30 | Voltage regulator         |
| V <sub>11</sub> | JAN- 6V6GT/G           | Audio power amplifier     |
| V <sub>12</sub> | JAN- 6V6GT/G           | Audio power amplifier     |
| V <sub>13</sub> | JAN- 5U4G              | Full wave rectifier       |
| V <sub>14</sub> | JAN- 6J5               | Beat frequency oscillator |
| V <sub>15</sub> | JAN- 955               | High frequency oscillator |
| V <sub>16</sub> | JAN- 956               | Radiation suppressor.     |

c. All tubes with the exception of the four acorn type tubes can be reached from the top of the chassis. Acorn tubes V<sub>1</sub>, V<sub>2</sub>, V<sub>15</sub> and V<sub>16</sub> are reached by removing the top cover plate of the r-f sections. See figure 4 for location of all tubes.

d. When receiving a-m signals the circuit consists basically of a radiation suppressor stage, a stage of radio frequency amplification, a converter stage, a high frequency oscillator, three stages of intermediate frequency amplification, a second detector, an audio frequency voltage amplifier, a push-pull audio frequency power amplifier, a signal level indicator, an automatic volume control circuit and an automatic noise limiter circuit.

e. When receiving f-m signals the circuit consists basically of a radiation suppressor stage, a stage of tuned radio frequency amplification, a converter stage, a

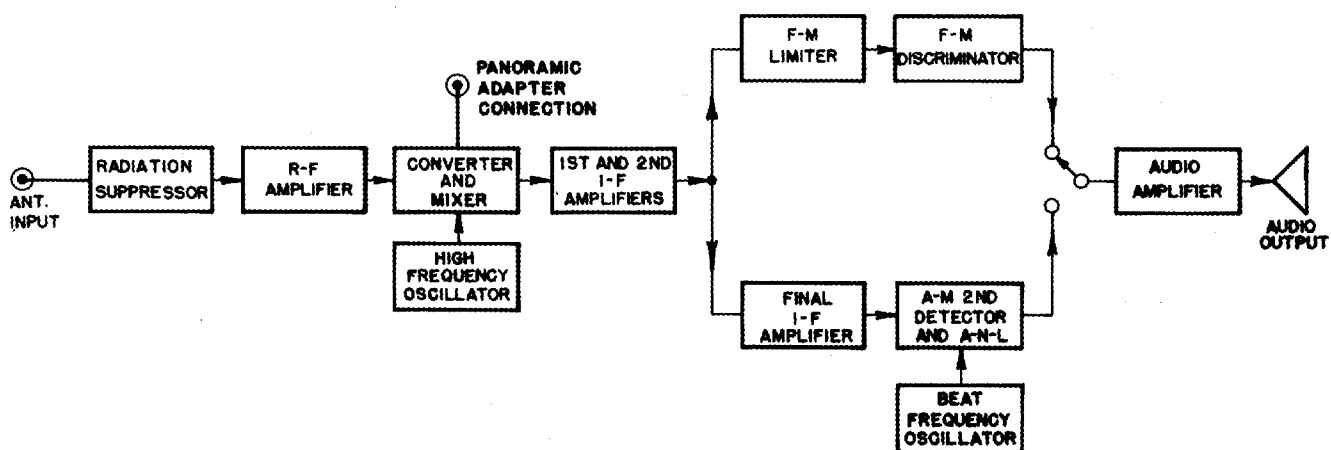


Figure 2. Radio Receiver CHL-46298, Block Diagram

high frequency oscillator, two stages of intermediate frequency amplification, an amplitude limiter stage, a discriminator, a tuning indicator, an audio frequency voltage amplifier, and a push-pull audio frequency power amplifier.

Reference to the block diagram, figure 2, will illustrate the above circuit arrangements.

**A-3, CIRCUIT DESCRIPTION.**--Refer to the schematic diagram, figure 3. Since the circuit functions of bands 1, 2 and 3 are essentially identical this discussion will describe the circuit with the BAND SWITCH (SW<sub>1A</sub> to SW<sub>1G</sub>) set at band 3, as shown in the schematic diagram. The BAND SWITCH (SW<sub>1</sub>) selects the proper radio frequency, converter, and high frequency oscillator transformers to tune a given frequency range.

a. Signals picked up by the antenna enter the receiver through the antenna connector (SO<sub>3</sub>) at the rear of the cabinet. (Refer to figure 6). The signal is fed through the radiation suppressor tube V<sub>16</sub> to the radio frequency amplifier tube (V<sub>1</sub>) through transformer T<sub>3</sub>. The secondary of this transformer (T<sub>3</sub>) is tuned by capacitor C<sub>1A</sub> and trimmed by capacitor C<sub>2</sub>.

b. The amplified radio frequency signal at the plate circuit of tube V<sub>1</sub> is coupled to the control grid of the converter tube (V<sub>2</sub>) through the radio frequency transformer T<sub>6</sub>.

c. Another signal generated in the high frequency oscillator tube (V<sub>15</sub>) is fed to the cathode of the tube V<sub>2</sub> through capacitor C<sub>9</sub>. These two signals mix and heterodyne within the converter tube (V<sub>2</sub>) and produce a third signal the frequency of which is the same as the intermediate frequency amplifier channel band-pass frequency or 5.25 MC. The frequency of the signal generated in the high frequency oscillator tube (V<sub>15</sub>) is controlled by the high frequency oscillator transformer (T<sub>9</sub>) which is tuned by capacitor C<sub>1C</sub>. On band #1 the oscillator tunes 5.25 MC. higher in frequency than the received signal frequency and on bands #2 and #3 it is 5.25 MC lower in frequency than the incoming signal.

d. A shielded lead from the plate circuit of the converter tube (V<sub>2</sub>) feeds the intermediate frequency signal voltage, through an isolating resistor (R<sub>8</sub>), to a panoramic adapter connection. This output connection is an Amphenol type 83-1R coaxial socket. It is located on the rear apron of the chassis. Refer to figure 6.

e. The intermediate frequency amplifier consists of tubes V<sub>3</sub>, V<sub>4</sub> and V<sub>5</sub> and associ-

ated transformers T<sub>10</sub>, T<sub>11</sub>, T<sub>12</sub>, and T<sub>13</sub>. The i-f channel band width provided by transformer T<sub>10</sub>, T<sub>11</sub>, and T<sub>12</sub> is expanded by a third winding, controlled by SELECTIVITY switch SW<sub>7A</sub> to 7<sub>C</sub>. Expanding the i-f amplifier band-pass frequency allows high fidelity f-m reception.

f. The R.F. GAIN control (R<sub>11</sub>), connected in series with the cathodes of tubes V<sub>3</sub> and V<sub>4</sub> and ground, varies the sensitivity of the receiver by controlling the gain in the first two i-f stages. This is accomplished by varying the self biasing voltage developed by these tubes.

g. The i-f amplifier terminates in two separate detectors, namely the amplitude modulation detector and the frequency modulation discriminator.

(1) The amplitude modulation (A-M) detector tube (V<sub>6</sub>) is fed by the fourth i-f transformer (T<sub>13</sub>). The diode load resistor network for the first diode section of the tube V<sub>6</sub> consists of resistors R<sub>31</sub>, R<sub>33</sub>, R<sub>34</sub>, and R<sub>36</sub>. From this voltage divider network the audio voltage developed is fed to the A.F. GAIN control (R<sub>43</sub>) through capacitor C<sub>33</sub> and section SW<sub>8D</sub> of the AM/FM switch. An automatic volume control (A-V-C) voltage developed in this load network is applied to the grids of the 1st and 2nd intermediate amplifier tubes (V<sub>3</sub> and V<sub>4</sub>) through the isolating networks consisting of resistor R<sub>10</sub> and capacitor C<sub>12</sub> for the tube V<sub>3</sub>, resistor R<sub>19</sub> and capacitor C<sub>16</sub> for tube V<sub>4</sub> and resistor R<sub>35</sub> and capacitor C<sub>8</sub> for both tubes when the receiver is set for A-M reception. The A.V.C. switch (SW<sub>4</sub>) shorts out the a-v-c voltage when automatic volume control is not required. The second diode section of the A-M detector tube (V<sub>6</sub>) is used as an automatic noise limiter (A-N-L), and is activated by switch SW<sub>6</sub>. This circuit functions as follows: Capacitor C<sub>25</sub> becomes charged by the rectified carrier voltage when the A.N.L. switch (SW<sub>6</sub>) is set at ON. The time constant of this capacitor and associated network is such that the audio frequency variations do not alter this charge. However, during a severe noise pulse the cathode of the second diode section of tube V<sub>6</sub> becomes more negative than the charge held by capacitor C<sub>25</sub>, hence, current flows shorting the audio voltage to ground through capacitor C<sub>25</sub> until the cathode voltage of the a-n-l diode of tube V<sub>6</sub> reaches a higher negative potential than its plate. By this action noise peaks are clipped off and do not appear in the output as sudden blasts of noise.

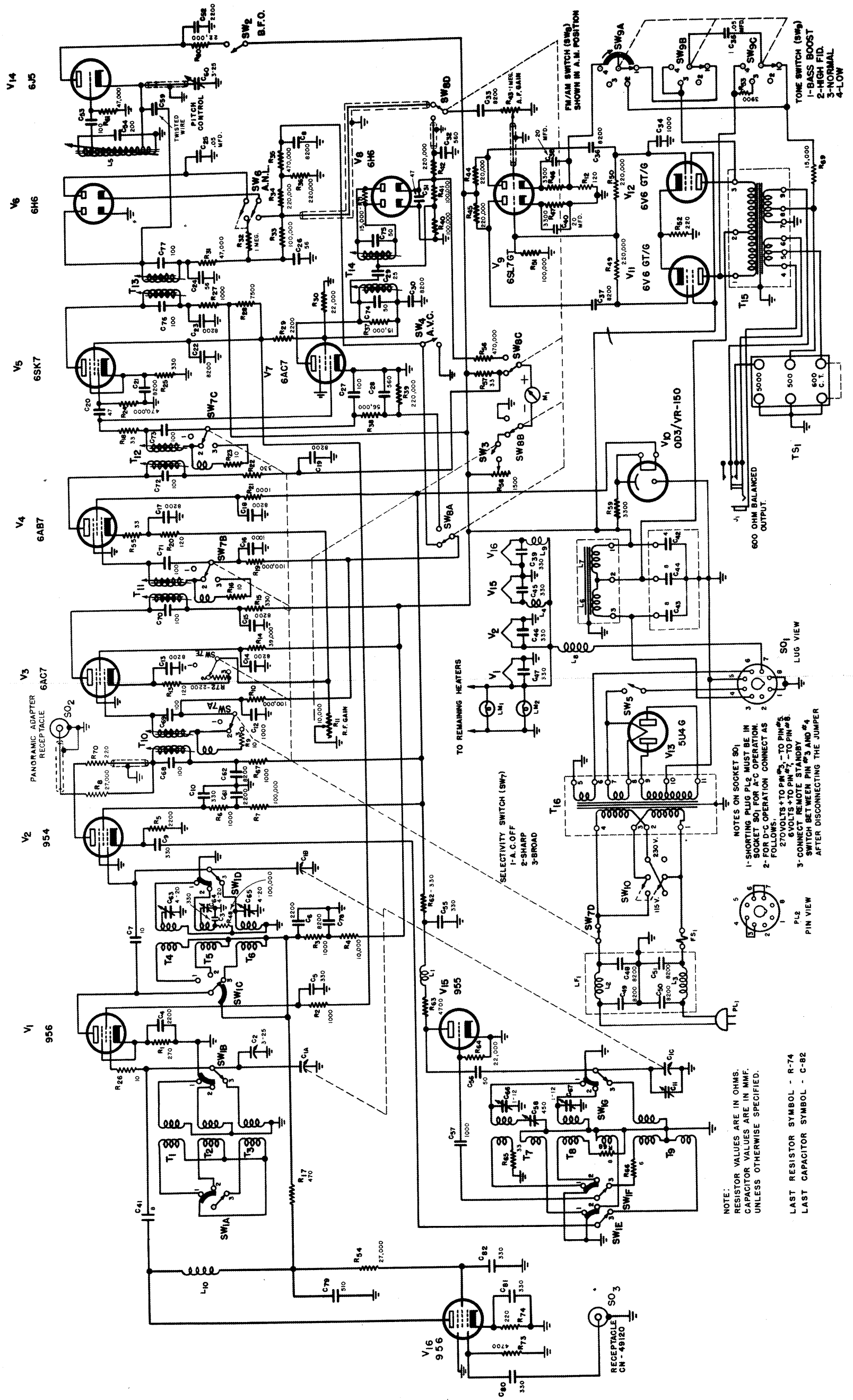


Figure 3. Radio Receiver CHL-46298, Schematic Diagram

(2) The frequency modulation detector circuit consists of a limiter stage and a discriminator stage. The limiter tube (V<sub>7</sub>) is fed by the third i-f transformer (T<sub>12</sub>). This stage operates as a saturated amplifier in which the output remains constant over a large range of input levels thus eliminating variations in the amplitude of the received carrier signal. When operating as an f-m receiver, automatic volume control action is obtained by applying a part of the voltage developed across resistor R<sub>39</sub> to the control grids of the first and second i-f amplifier tubes (V<sub>3</sub> and V<sub>4</sub>) through section SW<sub>8A</sub> of the F.M./A.M. switch in the same manner as in a-m reception. The constant level output signal from the limiter tube (V<sub>7</sub>) is fed to the discriminator tube (V<sub>8</sub>) through the discriminator transformer (T<sub>14</sub>) and coupling capacitor C<sub>29</sub>. The discriminator circuit, consisting of transformer (T<sub>14</sub>), tube V<sub>8</sub> and load resistor R<sub>40</sub> and R<sub>41</sub>, converts the frequency variations in the f-m signal into amplitude variations or an audio signal. The de-emphasis network consisting of a resistor R<sub>42</sub> and capacitor C<sub>32</sub> attenuates the high frequency end of audio range since these frequencies are emphasized at the transmitter. From the de-emphasis network the audio signal is fed to the A.F. GAIN control (R<sub>43</sub>) in the same way as the signal from the amplitude modulation detector tube (V<sub>6</sub>).

h. The audio amplifier consists of a voltage amplifier and phase inverter stage (tube V<sub>9</sub>) and a push-pull power amplifier stage (tubes V<sub>11</sub> and V<sub>12</sub>). The audio signal from either the a-m detector or the f-m discriminator is fed to the control grid of the first triode section of tube (V<sub>9</sub>) through the A.F. GAIN control (R<sub>43</sub>) which controls the amount of excitation to the audio amplifier circuit. The amplified audio signal from the first triode section of tube V<sub>9</sub> is fed to the audio power amplifier tube (V<sub>12</sub>) and to the second triode section of tube V<sub>9</sub>. The audio signal on the plate of the second triode section of tube V<sub>9</sub>, which is now 180° out of phase, is fed to the remaining power amplifier tube V<sub>11</sub>. The output of the audio power amplifier tubes (V<sub>11</sub> and V<sub>12</sub>) is fed to the output terminals through transformer T<sub>15</sub>, the secondary of which provides output impedances of 500 ohms, 5000 ohms to ground and 600 ohms balanced to ground. The network consisting of resistors R<sub>53</sub> and R<sub>69</sub> and capacitor C<sub>35</sub> provide inverse feedback in varying degrees in the audio amplifier tubes to

allow tone control ranging from bass boost to high frequency out off. TONE SWITCH (SW<sub>9</sub>) selects the desired fidelity.

1. The tuning meter (M<sub>1</sub>) is used to indicate correct tuning for both amplitude modulation and frequency modulation reception. It is switched from one circuit to the other by sections SW<sub>8B</sub> and SW<sub>8C</sub> of the A.M./ F.M. switch.

(1) When receiving amplitude modulated signals the tuning meter indicates a change in the plate current drawn by the second intermediate amplifier tube (V<sub>4</sub>). This tube (V<sub>4</sub>) draws maximum current with zero signal level. Current drain decreases with an increase in signal level causing the meter to fluctuate in accordance with the strength of the received signal. The meter circuit is completed by turning the R.F. GAIN control (R<sub>11</sub>) full on (to the extreme right hand position). This activates switch SW<sub>3</sub> which is ganged to the control. When switch SW<sub>3</sub> is "on" the meter and the METER ADJ. resistor (R<sub>58</sub>) are shunted across resistor (R<sub>57</sub>).

(2) When receiving frequency modulated signals the meter indicates resonance by indicating the voltage developed across load resistors R<sub>40</sub> and R<sub>41</sub>. When the receiver is in exact tune with the received signal the voltages developed across the two load resistors cancel out while detuning the receiver on either side of the incoming signal frequency causes a difference in the voltage developed across each resistor which is shown on the meter by a deflection on either side of zero.

j. The beat frequency oscillator stage consists of a triode oscillator tube (V<sub>14</sub>) and a resonant circuit (L<sub>5</sub>). The frequency of the oscillator is adjusted to approximately the i-f frequency plus 1000 cycles by varying the inductance of L<sub>5</sub> with an adjustable iron slug. B.F.O. switch (SW<sub>2</sub>) activates this circuit by applying plate voltage to tube V<sub>14</sub>. Capacitor C<sub>60</sub> varies the pitch of the note to suit the operator.

k. The voltage regulator tube (V<sub>10</sub>) supplies a constant voltage to the plate and screen of the mixer tube (V<sub>2</sub>), the screen grid of the second i-f amplifier tube (V<sub>4</sub>) and the plate of the high frequency oscillator tube (V<sub>15</sub>).

l. Socket SO<sub>1</sub> provides for operation from an external d-c voltage source. When so operated the heater voltage is supplied

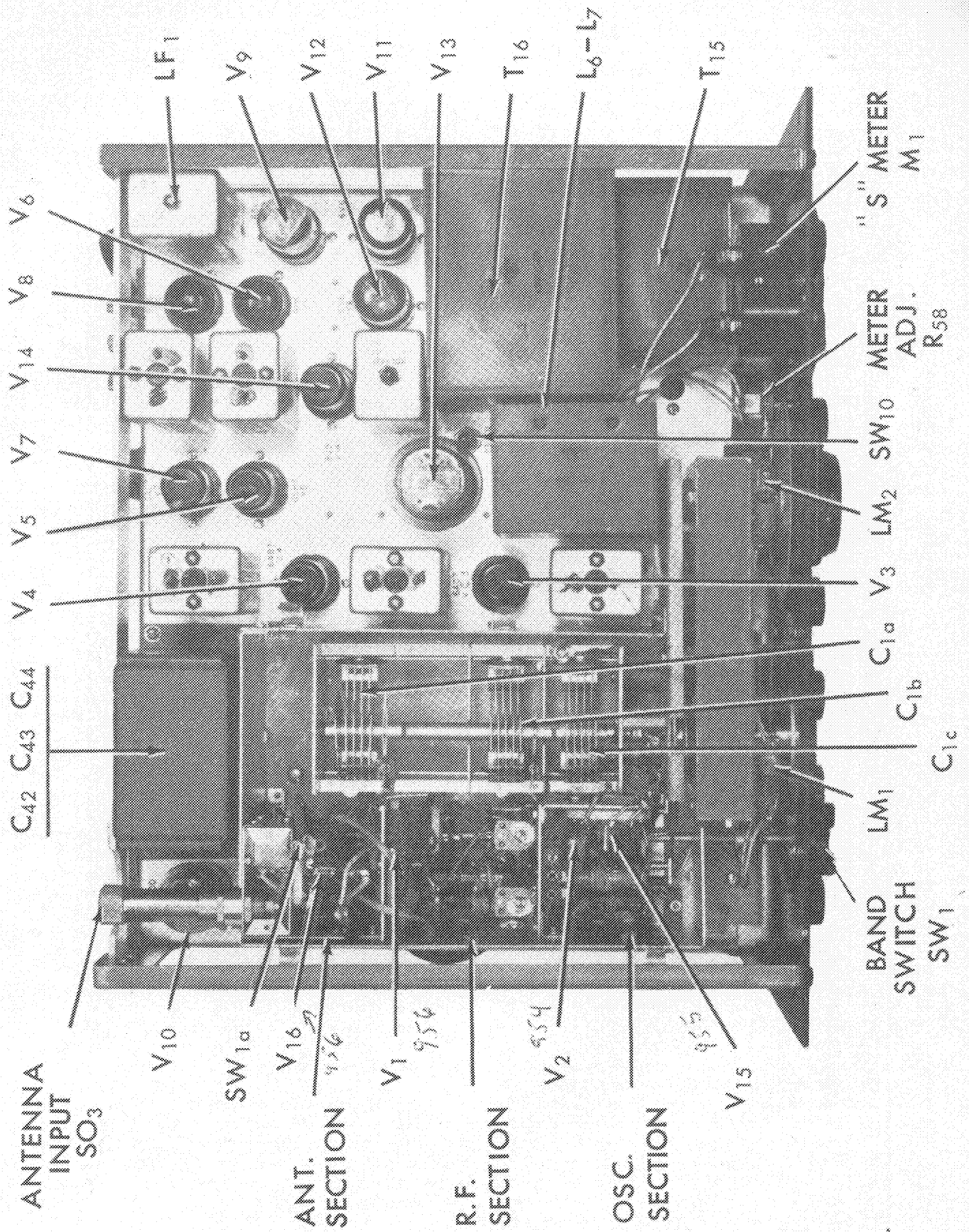


Figure 4. Radio Receiver CHL-46298, Top View Of Chassis



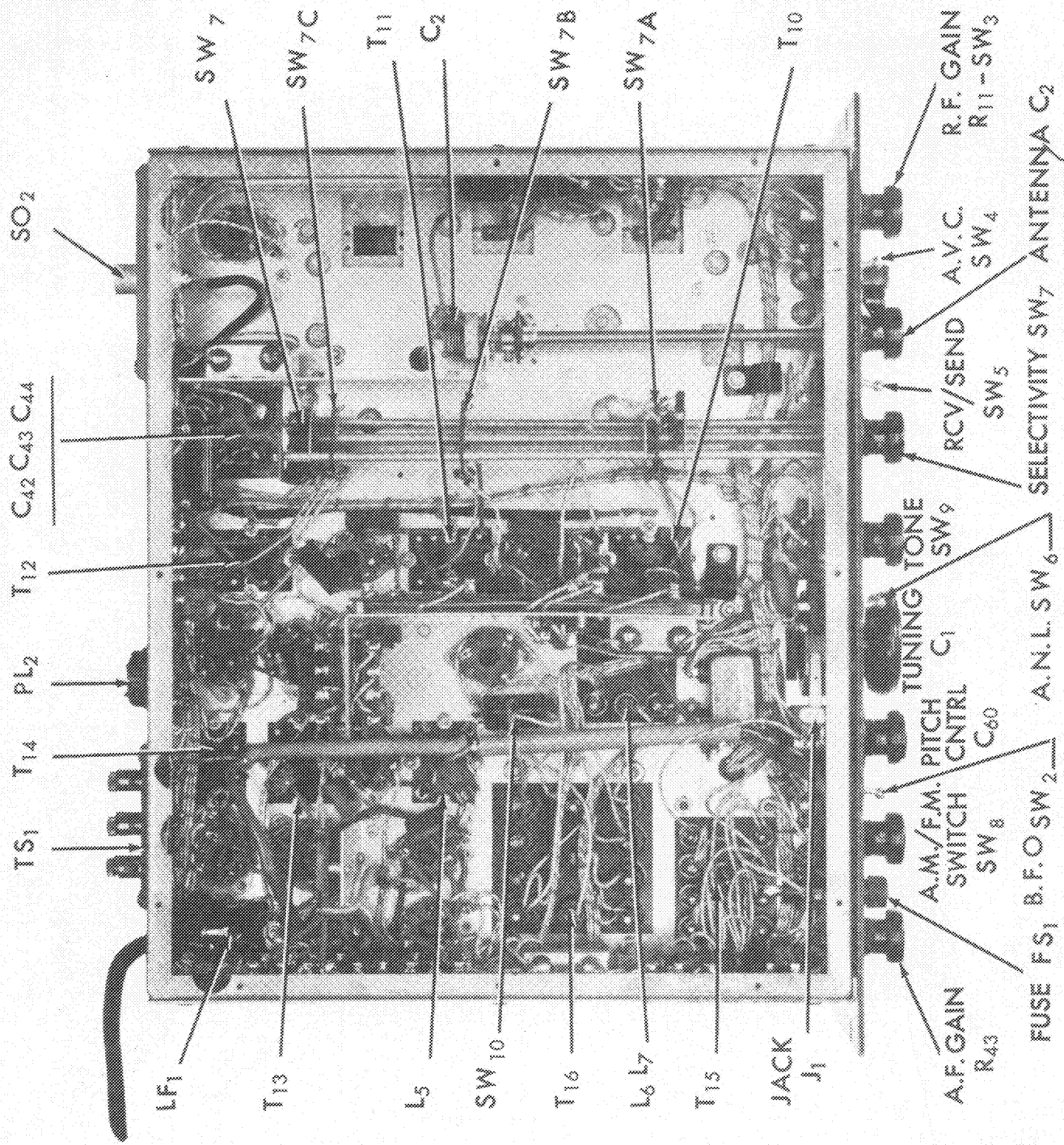


Figure 5. Radio Receiver CHL-46298, Bottom View Of Chassis

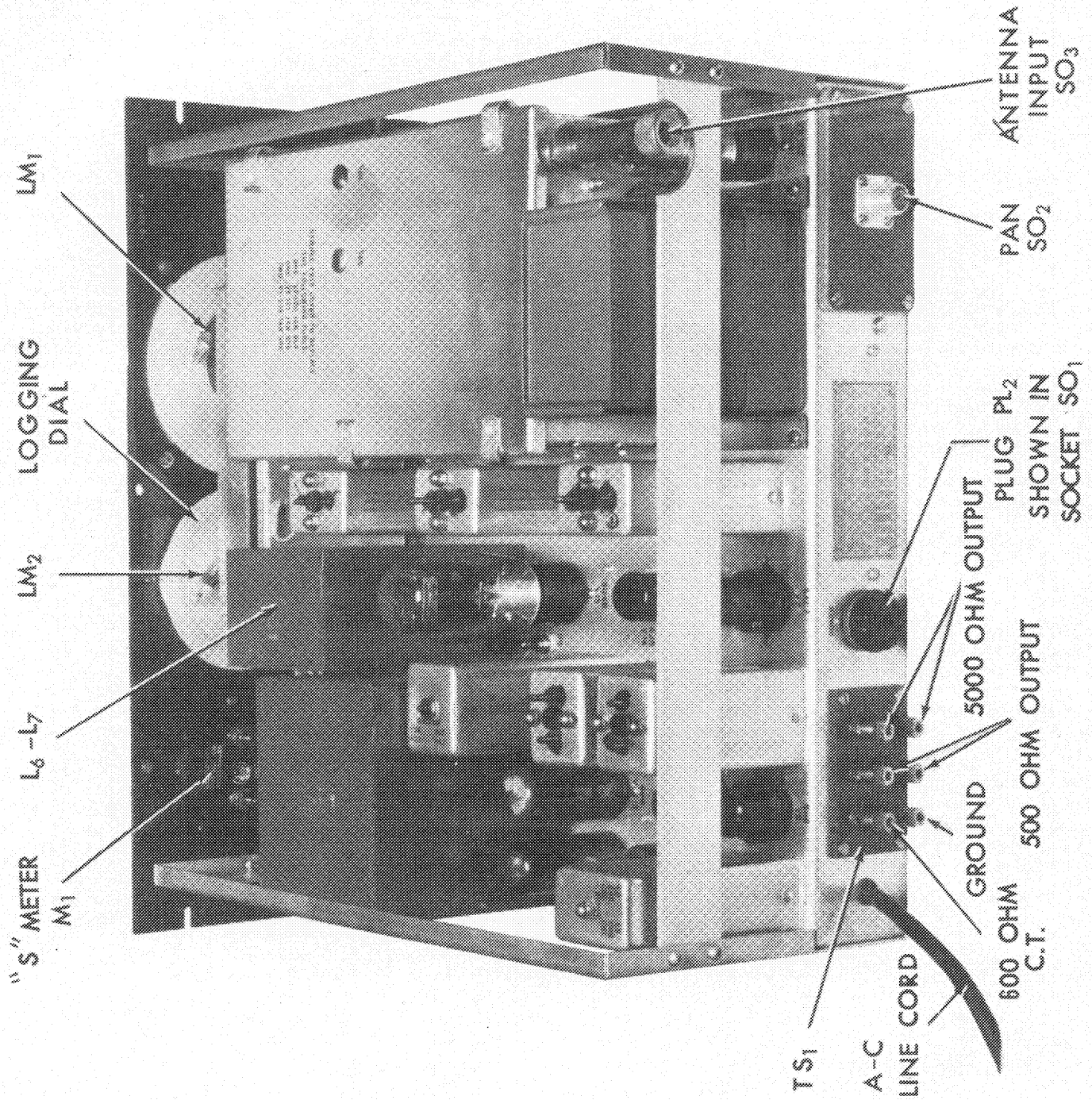


Figure 6. Radio Receiver CHL-46298, Top Rear View

directly to the tubes while the plate and screen voltage is applied through the fil-

ter network and voltage regulator tube (V<sub>10</sub>) just as when operating from an a-c source.

## B. INSTALLATION

**B-1. CAUTION.** - Voltages appearing within the receiver chassis are high and dangerous. Exercise care in making adjustments. Before making any repairs on the receiver, remove the power cord plug from supply receptacle or disconnect the d-c source from socket SO<sub>1</sub>.

**B-2. UNPACKING.** - Carefully unpack and inspect the receiver for possible damage during transit. Claim for any damage should be made immediately to the transportation carrier.

**B-3. INSPECTION.** - After the receiver has been unpacked and BEFORE power is applied, check the following items:

a. See that the tubes are secure and in their proper sockets. Reference to figure 4 will show their proper location. The four acorn type tubes are made accessible by removing the shield cover over the r-f section.

b. Check pilot lamps behind the translucent tuning dials. These can be checked by simply raising the cabinet cover.

c. Check the line fuse located in the fuse container on the front panel to see that it is in operating order.

**B-4. ANTENNA CONNECTIONS.** - A type CN-49120 receptacle is provided for antenna connections and is located just inside the large rectangular cut-out located above the panoramic receptacle. A type CN-49121 plug is also furnished with each receiver which engages the above receptacle. Connect the concentric line lead-in from the antenna to this plug. Refer to figure 9 for suggested antenna installation.

a. **Single Wire Antenna.** - When only a single wire is available for use as an antenna, connect it to the center terminal on plug CN-49121. If a ground is available connect it to the outer shell of this plug. This type of antenna works well where the signal to noise ratio is relatively high and a more elaborate installation is not available. Erect the antenna as high and free from surrounding objects as possible.

b. **Doublet Antenna.** - The doublet antenna is recommended where receiving conditions are difficult or where maximum sensitivity is required over a relatively narrow range of frequencies. The transmission line from

the antenna is connected to plug CN-49121. If a concentric line with a grounded outer conductor is used, connect the inner conductor to the center terminal of plug CN-49121 and the outer conductor to the shell. To determine the proper length in inches for the doublet antenna, divide 5540 by the frequency of reception in megacycles. After cutting the wire to the length determined above, cut it in half and insert an insulator at that point. Solder the two wires of the transmission line to each of the quarter wave sections at the insulator. Keep in mind that this type of antenna is directional broadside to its length and should be so oriented if maximum pickup from a certain direction is desired.

**B-5. POWER INPUT CIRCUITS.** - The receiver is designed to operate from either a 115/230 volt, 50-60 cycles a-c power source, or from a 6-volt storage battery and 270 volts of "B" battery or vibrator supply.

a. **A-C Operation.** - If the receiver is to be operated from an a-c line, check the setting of the 115/230-volt change-over switch (SW<sub>10</sub>), located on the chassis deck to the left of the power transformer, and see that it is set for the proper line voltage. Also see that the plug (PL<sub>2</sub>) on the rear apron of the receiver is in place. This is necessary to provide continuity in the power circuits. Refer to figure 3.

b. **D-C Operation.** - To operate the receiver from external batteries delivering 6-volts at 4.5 amperes and 270-volts at 145 milliamperes (or from a vibrator supply of like capacity), connect plug PL<sub>2</sub> as shown in figure 7 and insert it in socket SO<sub>1</sub> in place of the jumper plug used for a-c operation.

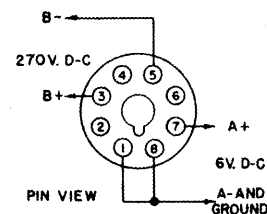


Figure 7. D-C Power Plug Connections

**B-6. AUDIO OUTPUT CIRCUITS.** - A headset or loudspeaker may be used with the receiver.

a. The headset jack (J<sub>1</sub>) marked PHONES and located on the front panel provides a

600 ohm outlet for headset operation. Both terminals of this outlet are insulated from ground. By connecting a jumper between the terminals marked 600 OHM C.T. and GND. on terminal strip TS<sub>1</sub>, located on the rear apron of the chassis, this 600 ohm line may be balanced to ground for other uses.

b. The speaker terminal board (TS<sub>1</sub>) located on the rear apron of the receiver's chassis provides output impedances of 500 and 5000 ohms for loudspeaker operation.

**B-7. PANORAMIC ADAPTER.** - A type 49194 coaxial cable connector (SO<sub>2</sub>) is provided for connection of a panoramic adapter designed to be used with Model RBK-( ) receiving

equipment. The panoramic adapter is coupled to the plate circuit of the receiver's converter tube V<sub>2</sub> through isolating resistor R<sub>8</sub>.

**B-8. REMOTE STAND-BY OPERATION.** - Remote control of the stand-by switch in the receiver can be obtained by removing the jumper wire between pins #3 and #4 and connecting leads to pins #3 and #4 of either the jumper plug (PL<sub>2</sub>) used for a-c operation or its substitute plug used for battery operation, and connecting the leads to an external relay or switch. Note: The remote relay or switch must be insulated for high voltage, since this switch is wired into the plate voltage circuit of the receiver.

### C. ADJUSTMENT AND OPERATION

**C-1. PANEL CONTROLS.** - Reading across the front panel from left to right the control markings and functions are as follows: (Refer to figure 1.

a. R.F. GAIN (radio frequency gain) Control. - It controls the sensitivity of the receiver. Ganged to this control is the "S" meter switch which connects the tuning meter into the circuit when the control is rotated completely to the right.

b. BAND SWITCH. - This switch is used to select the desired frequency range covering the frequencies shown on the main tuning dial.

c. A.V.C. (Automatic volume control) Switch. - It switches in a circuit which controls the sensitivity of the receiver. This action provides a more nearly constant audio output level over reasonable variations in signal strength at the antenna.

d. ANTENNA Control. - This control is used to compensate for misalignment of antenna transformers T<sub>1</sub>, T<sub>2</sub>, and T<sub>3</sub> due to antenna impedance variations. Once set for a given antenna its calibration will hold for a wide range of frequencies. Since this capacitor acts as a trimmer for the main tuning capacitor (C<sub>1A</sub>), its use will have a slight detuning effect on the high frequency end of Band 3 and will have to be "touched-up" to retune the desired signal.

e. REC./SEND Switch. - This switch is used to silence the receiver for short periods of time. It connects the high voltage to the receiver circuits when set at REC.

f. SELECTIVITY Switch. - This switch controls the a-c line voltage to the receiver when operating from an a-c power source and in addition sets the band width of the intermediate frequency amplifier stages in

its SHARP and BROAD positions.

g. TONE Switch. - It controls a feedback circuit in the audio amplifier stages which allows the audio frequency response to be modified from bass boost through high fidelity to high frequency cut-off.

h. A.N.L. Switch. - This switch cuts in a circuit which will increase the intelligibility of the received signal when a high noise level distorts the signal. The circuit clips the noise peaks in excess of the normal signal level. The switch should be left at OFF when the receiving conditions are normal.

i. TUNING Wheel. - This control varies the capacity of capacitor C<sub>1</sub> which tunes the receiver to the desired frequency. The frequency of reception is read directly from the main tuning dial. The scale on the logging dial is used in conjunction with the outer-most scale on the main tuning dial for logging purposes.

j. PHONES Jack. - It is connected to the 600 ohm secondary winding of the output transformer and is insulated from the chassis. It can be used to feed a headset or a 600 ohm line.

k. METER ADJ. - This adjustment is used to set the "S" meter to its "0" signal position when the receiver is set for amplitude modulation reception.

l. PITCH CONTROL. - This control varies the pitch of the c-w signal for code reception.

m. B.F.O. Switch. - It turns on the beat frequency oscillator, used to produce the beat note for the reception of c-w (telegraph) signals.

n. A.M./F.M. Switch. - It connects the output of either the a-m detector or the f-m discriminator to the audio amplifier and switches the tuning meter from one circuit to the other.

o. "S" Meter or Tuning Meter. - When the receiver is set to receive amplitude modulated signals the tuning meter indicates the carrier strength of the received signal. To put the meter in operation, turn the R.F. GAIN control to the extreme right until the switch (SW3) snaps "on". The meter is not used when receiving c-w signals.

When the receiver is set to receive frequency modulated signals the tuning meter is used to indicate resonance with the carrier. As the receiver is tuned through an f-m carrier the meter pointer will first deflect to one side of "0", return to "0" and deflect an equal distance on the opposite side of "0", and return to "0". The zero center position in the middle of the swing represents the correct setting of the receiver tuning dial and indicates resonance.

p. The FUSE holder contains a 3 amp., 250-volt fuse which protects the receiver against accidental overloads.

q. A.F. GAIN Control. - The audio output level of the receiver is controlled by varying the signal level to the grid of the first audio amplifier tube. ( $V_9$ ).

## C-2. OPERATION. -

a. A.M. SIGNAL RECEPTION. - To receive amplitude modulated signals set the front panel controls as follows:

- SELECTIVITY SWITCH - Set at A.C. OFF when the set is not in use. Set at SHARP for reception of phone signals.
- A.M./F.M. switch - Set at A.M.
- BAND SWITCH - Set to band covering desired frequency.
- A.V.C. - Set at ON
- REC./SEND switch - Set at REC. Set in SEND position to disable the receiver for short periods.
- B.F.O. switch - Set at OFF
- PITCH CONTROL - Not used
- TUNING wheel - Set dial to frequency of desired signal adjust for maximum tuning meter reading.
- R.F. GAIN control - Turn to right until tuning meter switch snaps on.
- ANTENNA trimmer - Adjust for maximum tuning reading

- A.F. GAIN control - Adjust for desired signal level at headset or speaker
- TONE switch - Set at HIGH FID. or BASS BOOST when signal to noise ratio is high or at NORMAL or LOW when signal to noise ratio is low.
- A.N.L. switch - Set at OFF unless background noise is excessive.

b. F-M SIGNAL RECEPTION. - To receive frequency modulated signals set the front panel controls as follows:

- SELECTIVITY switch - Set at A.C. OFF when set is not in use. Set at BROAD for reception of phone signals.
- A.M./F.M. switch - Set at F.M.
- BAND SWITCH - Set at band covering desired frequency.
- A.V.C. switch - Not used.
- REC./SEND switch - Set at REC. Set in SEND position to disable the receiver for short periods.
- B.F.O. switch - Set at OFF
- PITCH CONTROL - Not used
- TUNING wheel - Set dial to frequency of desired signal adjust for center "0" position of tuning meter.
- R.F. GAIN control - Turn all the way to the right
- ANTENNA TRIMMER - Adjust for maximum audio level
- A.F. GAIN control - Adjust for desired signal level at headset or speaker.
- TONE switch - Set at BASS BOOST or HIGH FID.
- A.N.L. switch - Set at OFF

c. C-W (TELEGRAPH) RECEPTION. - To receive continuous-wave (telegraph) signals set the front panel controls as follows:

- SELECTIVITY switch - Set at A.C. OFF when the set is not in use. Set at SHARP for c-w telegraph reception.
- A.M./F.M. switch - Set at A.M.
- BAND SWITCH - Set to band covering desired frequency
- A.V.C. switch - Set at OFF
- REC./SEND switch - Set at REC. Set in SEND position when disabling receiver for short periods of time.
- B.F.O. switch - Set at ON

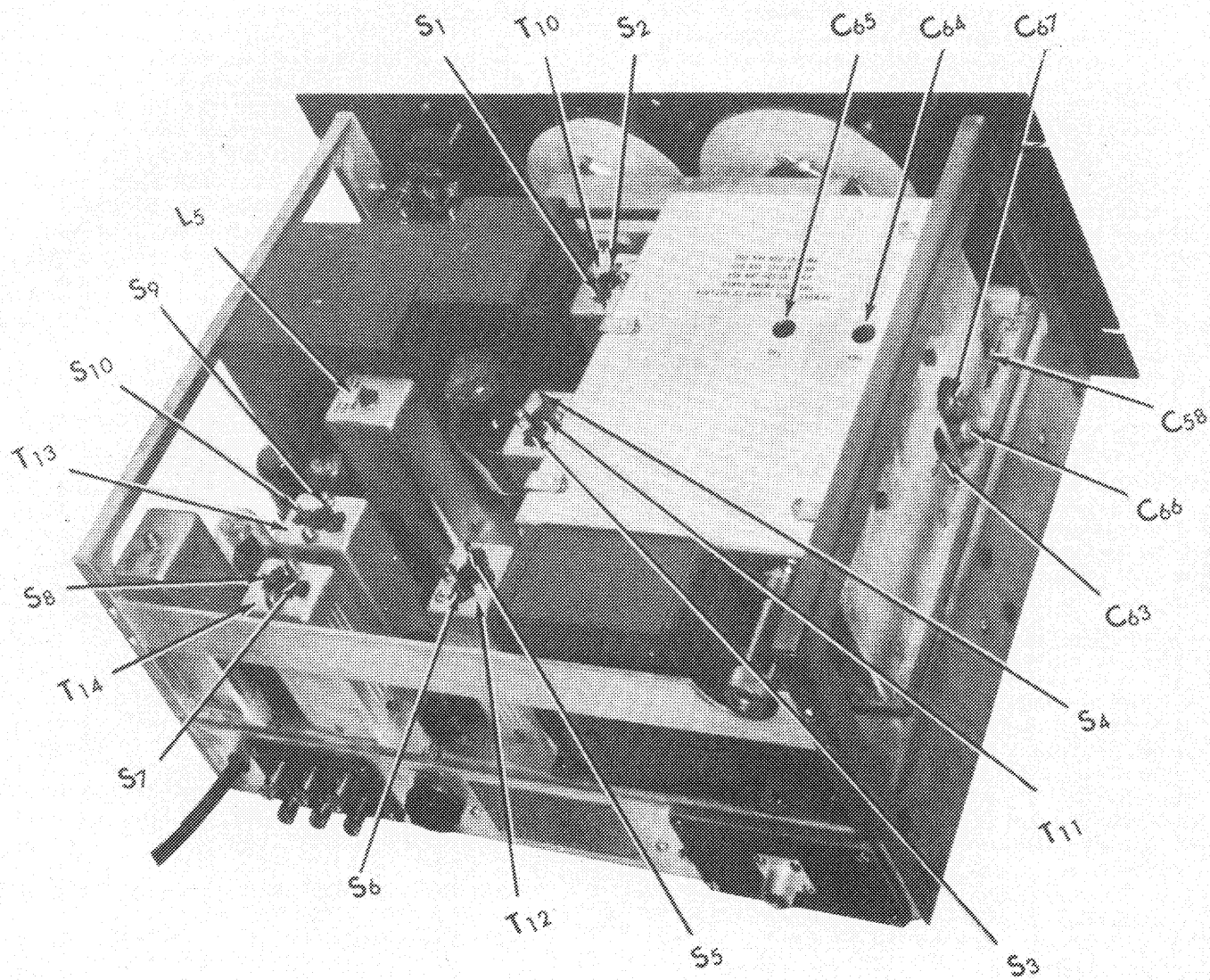


Figure 8. Radio Receiver CHL-46298, Top View Showing Alignment Points

- PITCH CONTROL - Adjust to produce approximately a 1000 cycle code signal.
- TUNING wheel - Set dial to frequency of signal. Tune for maximum signal level at headset or speaker
- R.F. GAIN control - Turn up as high as the signal strength of the received signal will allow
- ANTENNA trimmer - Adjust for maximum signal level at headset or speaker
- A.F. GAIN control - Adjust for desired signal level at headset or speaker
- TONE switch - Set at LOW

**C-3. CALIBRATION AND LOGGING.** - The three frequency ranges shown on the main tuning dial are calibrated directly in megacycles.

The fourth or outside scale on the calibrated dial is used for logging purposes. The logging scale runs from 1 to 23. Each of the 23 divisions are further divided into 100 parts by the vernier dial scale, located just above the TUNING wheel. The vernier dial makes one revolution as the calibrated dial moves one division along the logging scale, hence, the log reading will be the calibrated dial log reading followed by a decimal point and the vernier dial reading.

**C-4. "S" METER ADJUSTMENT.** - With the set turned off check the resting position of the meter. Adjust the screw on the meter face for zero. (Right side of meter face.) Set up the receiver for amplitude modulation reception and set the receiver at a frequency not being used for communications. With zero signal level and no noise being received set the METER ADJ. screw located on the front panel for an "S" meter reading of zero db. (left side of meter scale).

#### D. ALIGNMENT AND SERVICE.

**CAUTION** - Voltages at various points in the r-f stages and under the chassis are sufficiently high to produce a severe shock. When working on the set avoid contact with the high voltage points and remember, improper or rough handling may disable certain component parts. BE CAREFUL.

**D-1. INSPECTION.** - All components of the radio set should be given a thorough inspection upon issue and at regular intervals thereafter. Keep the equipment dry. Moisture, even in a completely tropicalized set may cause deterioration of material and produce general unsatisfactory operation. Dust and dirt materially effect both electrical and mechanical operation. Keep the various parts clean especially the tuning capacitors and gear drive. A minute amount of oil in the gear drive occasionally will provide smoother operation. Do not oil the condenser wipers. Noisy reception may be caused by dirty condenser wipers, gain controls, switches, loose connections in the cables, tubes, wiring contacts etc. in the installation. Do not oil any of the switch contacts. Check accessible connections and tubes regularly making sure that all contacts are clean and tight and that tubes are held securely in their sockets.

**D-2. REPLACING TUBES, LAMPS AND FUSES.** - All tubes with the exception of the four acorn types are accessible at the top of the chassis. The four acorn tubes are reached by removing the top cover of the r-f assembly. These tubes should be inserted with the short end of the body in the socket. The two pilot lamps, LM<sub>1</sub> and LM<sub>2</sub>, are identical and are lo-

cated behind the translucent dials. They are of the bayonet type and are removed by pressing down slightly in the socket and turning counter-clockwise. The fuse is replaceable from the front panel. It is contained in the bayonet type holder that is removed by pressing in slightly and turning counter-clockwise to release.

#### D-3. ALIGNMENT. -

a. **GENERAL** - The receiver has been carefully aligned at the factory and alignment should not be attempted unless it is known that the adjustments have been tampered with or that tubes of a different manufacturer have been substituted. The equipment required to align this receiver will be:

- (1) Signal Generator capable of tuning from 5 to 140 MC.
- (2) Non-metallic screw driver
- (3) 50 ohm non-inductive resistor for a dummy antenna
- (4) Output meter.

#### b. I-F ALIGNMENT. -

(1) Disconnect the grid lead of the 954 converter tube (V<sub>2</sub>) and connect the signal generator output between the grid and ground. Make the connection with a small clip or wind a piece of flexible wire around the grid terminal, but do not attempt to solder a lead to the terminal as the heat is sure to crack the glass envelope. Connect the output meter to either the headset jack or the speaker terminal board.

(2) Set the controls on the receiver as follows:

- (a) R.F. GAIN control at maximum gain.
- (b) A.F. GAIN control at maximum gain.
- (c) SELECTIVITY switch at SHARP.
- (d) AM/FM switch AM.
- (e) BAND SWITCH at band #2
- (f) A.V.C. switch at OFF
- (g) SEND/REC. switch at REC.
- (h) A.N.L. switch at OFF.
- (i) B.F.O. switch at OFF
- (j) TONE control at NORMAL.

(3) Set the signal generator frequency at 5.25 MC. and with the 400 cycle modulation turned on, align transformer T<sub>10</sub>, T<sub>11</sub>, T<sub>12</sub> and T<sub>13</sub> by adjusting the slug adjustment screws S<sub>1</sub>, S<sub>2</sub>, S<sub>3</sub>, S<sub>4</sub>, S<sub>5</sub>, S<sub>6</sub>, S<sub>9</sub> and S<sub>10</sub>. Refer to figure 8 for location of these adjustment screws. A bakelite screw driver with a metal or insulated tip is necessary for accurate alignment.

(4) Repeat the alignment procedure at least once to insure an accurate alignment.

(5) The discriminator transformer T<sub>14</sub>, is aligned as follows:

(a) Set the SELECTIVITY switch at BROAD and FM/AM switch at FM.

(b) With the signal generator set at the 5.25 MC. i-f frequency and with the 400 cycle modulation on, rotate the slug adjustment screw S<sub>8</sub> until the signal level read on the output meter drops to zero. This null point is approached very suddenly, therefore, the slug adjustment screw must be turned very slowly. NOTE: The output of the signal generator should be approximately 1000 microvolts for good results. Back off the audio gain slightly if necessary.

(c) Now detune this adjustment slightly so that the output meter gives a readable indication.

(d) Adjust the primary slug adjustment, S<sub>7</sub>, of the discriminator transformer for maximum response.

(e) Retune the secondary slug adjustment until the output again drops to zero.

(f) Detune the signal generator to a frequency lower than the i-f frequency until the maximum output

point is reached. Note the output meter reading and the frequency deviation from the i-f frequency. (5.25 MC.)

(g) Repeat the procedure above the i-f frequency. The frequency deviation and maximum output should be the same for good balance. If they are not, then tune the signal generator to the lower of the two peaks and adjust the primary slug adjustment, S<sub>7</sub>, until the output rises an amount equal to about half the difference of the two outputs previously noted.

(h) Retest for balance as above and readjust the primary slug adjustment until both maximum readings are alike when the signal generator is detuned approximately the same amount on either side of resonance (5.25 MC.) If a balance cannot be obtained, it is an indication that the discriminator transformer secondary slug adjustment has been adjusted off its proper center and will require a very slight readjustment in either direction. The direction of adjustment that will cause the off-tune peaks to assume the same values is the correct one. Care must be taken in adjusting the discriminator secondary control as even a very slight misadjustment will result in distortion in frequency modulated signals.

c. B.F.O. ADJUSTMENT. - With the signal generator connected as for i-f alignment above, set the generator's frequency to 5.25 MC. and turn off the 400 cycle modulation. Turn on the receiver's B.F.O. switch and back off the A.F. GAIN control slightly. Adjust the iron core screw on top of coil L<sub>5</sub> until a 1000 cycle note is obtained in the headset. The headset should replace the output meter for this operation. Note that the 1000 cycle note appears at two settings of this screw. Either setting is useable. It merely means that the oscillator is set 1000 cycles above or below the i-f frequency.

d. R-F ALIGNMENT. - Refer to figure 8 for location of alignment controls.

(1) Connect the signal generator to plug CN-49121 and wire the dummy antenna resistor (50 ohm noninductive resistor) in series with the generator terminals. Connect the output meter to the speaker terminals.



(2) Set the controls on the receiver as for i-f amplifier alignment. Refer to paragraph D-3. b. (2).

(3) Turn on 400 cycle tone modulation on the signal generator.

(4) Align the three bands as follows:

(a) BAND 1.

1. Set signal generator and receiver at 45 MC.

2. Adjust trimmer capacitor, C<sub>66</sub> for maximum output. Note that the frequency at which the receiver's oscillator operates on this band, is higher than the signal frequency.

3. Adjust trimmer capacitor C<sub>63</sub> for maximum output.

4. Set signal generator and receiver at 30 MC.

5. Set padder capacitor C<sub>58</sub> for maximum output while rocking the tuning control to obtain the optimum setting of the padder.

6. Repeat the above operations for alignment of the high frequency end of the band as described.

7. Check the 40 MC. check point for alignment.

(b) BAND 2.

1. Set signal generator and receiver at 80 MC.

2. Adjust trimmer capacitor C<sub>67</sub> for maximum output. Note that the frequency at which the receiver's oscillator operates on this band is lower than the signal frequency.

3. Adjust trimmer capacitor, C<sub>64</sub> for maximum output.

4. No padder capacitor adjustment is provided for the low frequency end of this band.

5. Check the 60 MC. check point for alignment.

(c) BAND 3.

1. Set signal generator and receiver at 135 MC.

2. Adjust trimmer capacitor C<sub>65</sub> for maximum output. Rock the tuning control while making the adjustment to obtain the optimum settings.

3. It is not recommended that the frequency of the oscillator in this band be adjusted except at the factory or at a service depot. Should it be impractical to return the receiver to a depot or the factory for adjustment, then make the following adjustments:

a. Remove the top cover of the r-f unit and locate the high frequency oscillator coil T<sub>9</sub>.

b. Set the signal generator and receiver at 135 MC.

c. Locate the white cellanese wire on the coil form of transformer T<sub>9</sub>, and carefully shift its position for maximum output. Note that the frequency at which the receiver's oscillator operates on this band is lower than the signal frequency.

d. Set the signal generator and receiver at 90 MC.

e. Locate the heavy tinned wire on the coil form of transformer T<sub>9</sub> and carefully shift the turns until maximum signal output is obtained. Note that this transformer does not have a padding capacitor.

f. Recheck the high frequency end of the band and then cement the windings in place with "Q-Max" or equivalent low loss cement.

g. Set the signal generator and receiver at 135 MC.

h. Reset trimmer capacitor C<sub>65</sub> for maximum output.

## E. ELECTRICAL AND MECHANICAL DATA

E-1. RESISTANCE CHART. - All measurements were made from the tube socket terminals to ground. The tubes were in their sockets. The power was disconnected from the receiver, all front panel switches were set at ON and both

GAIN controls were turned to their maximum output position. The AM/FM switch was set at A.M. All measurements were made with a Weston Model 772 analyzer.

### ACORN TYPE TUBES

| TUBE            | JAN | PIN |        |         |     |        |   |       |
|-----------------|-----|-----|--------|---------|-----|--------|---|-------|
|                 |     | H   | G1     | G2      | G3  | P      | H | K     |
| V <sub>1</sub>  | 956 | 0   | 8.5    | 23,000  | 250 | 42,000 | 0 | 270   |
| V <sub>2</sub>  | 954 | 0   | 0      | 160,000 | 0   | 34,000 | 0 | 2,000 |
| V <sub>15</sub> | 955 | 0   | 22,000 | X       | X   | 38,000 | 0 | 0     |
| V <sub>16</sub> | 956 | 0   | 4,700  | 70,000  | 0   | 45,000 | 0 | 220   |

### STANDARD TYPE TUBES

| TUBE            | JAN       | PIN             |         |                 |                 |                 |        |        |                 |
|-----------------|-----------|-----------------|---------|-----------------|-----------------|-----------------|--------|--------|-----------------|
|                 |           | 1               | 2       | 3               | 4               | 5               | 6      | 7      | 8               |
| V <sub>3</sub>  | 6AC7      | 0               | 0       | 0               | over<br>500,000 | 170             | 75,000 | 0      | 30,000          |
| V <sub>4</sub>  | 6AB7      | 0               | 0       | 0               | over<br>500,000 | 180             | 34,000 | 0      | 30,000          |
| V <sub>5</sub>  | 6SK7      | 0               | 0       | 290             | over<br>500,000 | 290             | 22,500 | 0      | 31,000          |
| V <sub>6</sub>  | 6H6       | 0               | 0       | over<br>500,000 | 0               | over<br>500,000 | NC     | 0      | over<br>500,000 |
| V <sub>7</sub>  | 6AC7      | 0               | 0       | 0               | 33,500          | 0               | 20,000 | 0      | 20,000          |
| V <sub>8</sub>  | 6H6       | 0               | 0       | 120,000         | 240,000         | 120,000         | NC     | 0      | 0               |
| V <sub>9</sub>  | 6SL7GT    | over<br>500,000 | 295,000 | 5750            | 100,000         | 310,000         | 5750   | 0      | 0               |
| V <sub>10</sub> | VR-150/30 | 0               | 0       | 33,000          | 0               | 33,000          | NC     | 33,000 | NC              |
| V <sub>11</sub> | 6V6GT/G   | 0               | 0       | 30,000          | 30,000          | 340,000         | NC     | 0      | 250             |
| V <sub>12</sub> | 6V6GT/G   | 0               | 0       | 30,000          | 30,000          | 340,000         | NC     | 0      | 250             |
| V <sub>13</sub> | 5U4G      | NC              | 30,000  | NC              | 45              | NC              | 45     | NC     | 30,000          |
| V <sub>14</sub> | 6J5       | 0               | 0       | 54,000          | NC              | 50,000          | NC     | 0      | 0               |

NC - No Connection

X - No Pin

E-2. VOLTAGE CHART. - All measurements were made from the tube socket terminals to ground. The tubes were in their sockets. All panel switches were set at ON (REC.-SEND switch at REC.) and both GAIN controls were turned to

their maximum output position. The AM/FM switch was set at AM, the SELECTIVITY switch at SHARP, and the BAND SWITCH at #1 position. All measurements were made with an RCA Volt Ohmyst Junior and with a line voltage of 117-volts.

### ACORN TYPE TUBES

| TUBE            | JAN | PIN       |      |     |     |     |           |     |
|-----------------|-----|-----------|------|-----|-----|-----|-----------|-----|
|                 |     | H         | G1   | G2  | G3  | P   | H         | K   |
| V <sub>1</sub>  | 956 | 6.3 (a-c) | 0    | 100 | 2.8 | 160 | 0         | 2.8 |
| V <sub>2</sub>  | 954 | 00        | 0    | 80  | 4.2 | 120 | 6.3 (a-c) | 4.2 |
| V <sub>15</sub> | 955 | 0         | -2.6 | X   | X   | 100 | 6.3 (a-c) | 0   |
| V <sub>16</sub> | 956 | 6.3 (a-c) | 0    | 100 | 2.3 | 160 | 0         | 2.3 |

### STANDARD TYPE TUBES

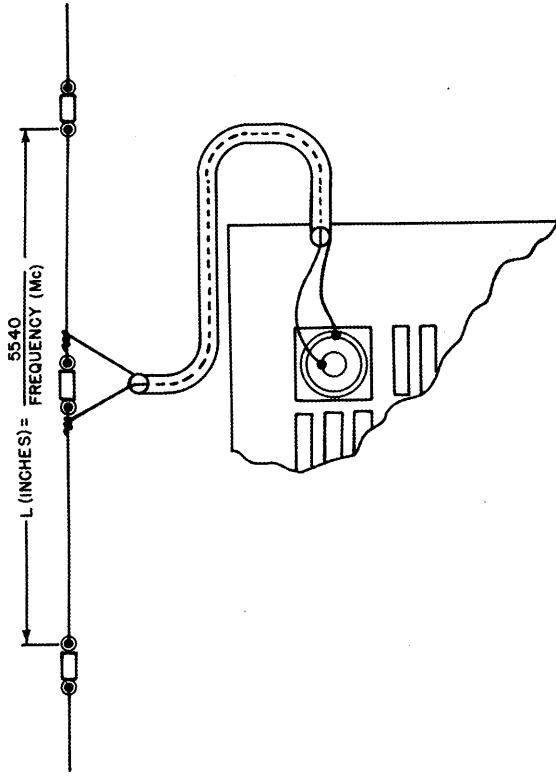
| TYPE            | JAN       | PIN |           |      |      |      |     |           |           |
|-----------------|-----------|-----|-----------|------|------|------|-----|-----------|-----------|
|                 |           | 1   | 2         | 3    | 4    | 5    | 6   | 7         | 8         |
| V <sub>3</sub>  | 6AC7      | 0   | 0         | 0    | -3   | 1.5  | 180 | 6.3 (a-c) | 260       |
| V <sub>4</sub>  | 6AB7      | 0   | 0         | 0    | -2.8 | 0.8  | 125 | 6.3 (a-c) | 260       |
| V <sub>5</sub>  | 6SK7      | 0   | 6.3 (a-c) | 4    | 0    | 4    | 100 | 0         | 240       |
| V <sub>6</sub>  | 6H6       | 0   | 0         | -5.6 | 0    | -6.8 | X   | 6.3 (a-c) | -5.8      |
| V <sub>7</sub>  | 6AC7      | 0   | 0         | 0    | -0.9 | 0    | 78  | 6.3 (a-c) | 78        |
| V <sub>8</sub>  | 6H6       | 0   | 0         | -1.0 | 0    | -1.0 | X   | 6.3 (a-c) | 0         |
| V <sub>9</sub>  | 6SL7GT    | 0   | 150       | 2.2  | 0    | 150  | 2.2 | 0         | 6.3 (a-c) |
| V <sub>10</sub> | VR-150/30 | NC  | 0         | 120  | X    | 120  | X   | 120       | NC        |
| V <sub>11</sub> | 6V6GT/G   | 0   | 6.3 (a-c) | 280  | 260  | 0.2  | X   | 0         | 14        |
| V <sub>12</sub> | 6V6GT/G   | 0   | 6.3 (a-c) | 260  | 250  | 0.2  | X   | 0         | 14        |
| V <sub>13</sub> | 5U4G      | 0   | 300       | X    | 280  | X    | 280 | X         | 300       |
| V <sub>14</sub> | 6J5       | 0   | 0         | 110  | X    | -7.8 | X   | 6.3 (a-c) | 0         |

NC - No Connection

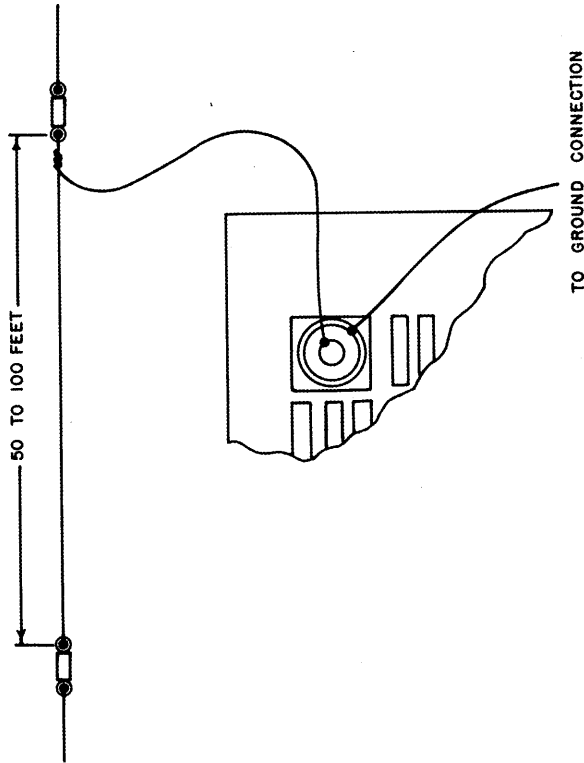
X - No Pin

\* - Tie Lug

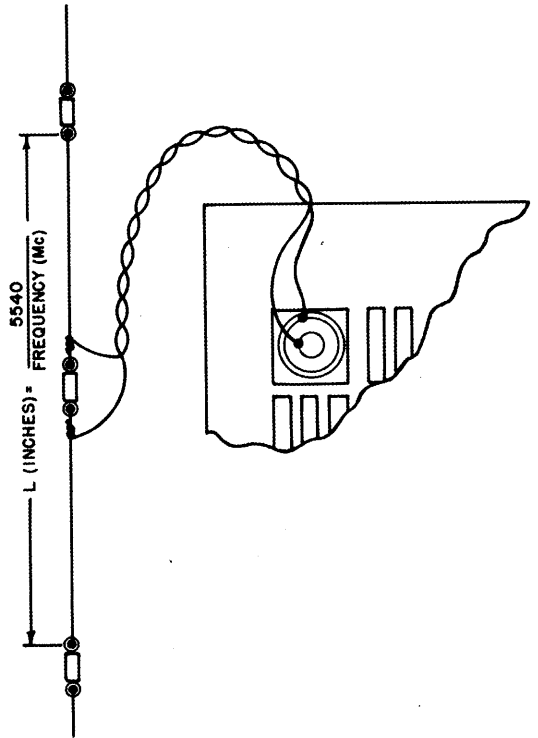
DOUBLET ANTENNA INSTALLATION  
USING COAXIAL LINE LEAD-IN



SINGLE WIRE ANTENNA INSTALLATION



DOUBLET ANTENNA INSTALLATION  
USING TWISTED PAIR LEAD-IN



MULTIPLE DIPOLE ANTENNA

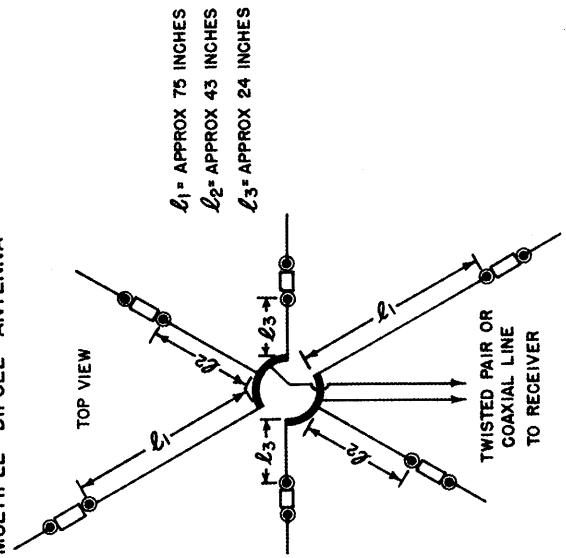
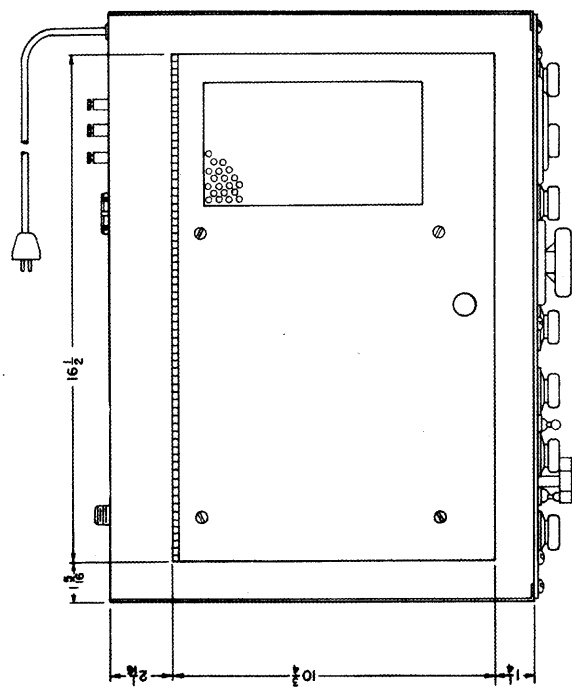


Figure 9. Recommended Antenna Installations



WEIGHT - 76 LBS.

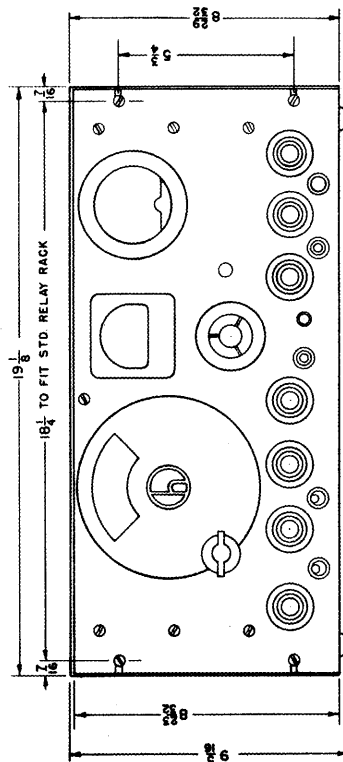
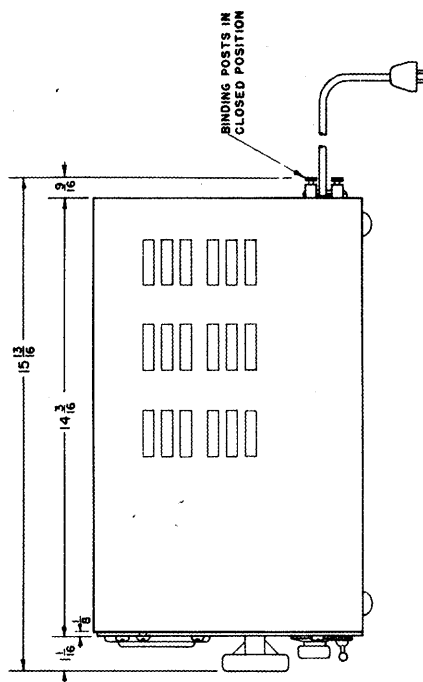


Figure 10. Radio Receiver CHL-46298, Outline Dimensional Sketch

**PARTS LIST**

| Ref. Symbol | Name of Part and Description  | Function  | Hallcrafters Part No. * |
|-------------|---|---|-------------------------|
| CAPACITORS  |   |   |                         |
| C1          | Capacitor, variable: air dielectric; 3 section; 9 plates with double spacing between plates; min. cap. 6 mmfd., max. cap. 54.7 mmfd.; plates are aluminum; shaft silver plated brass $\frac{1}{2}$ " long x 0.375" dia., with x 2B insulation on stators; front rotor section grounded to frame, other two sections insulated from frame; spade lug mtg.; solder lug terminals. | Secondary tuning of transformers T <sub>1</sub> to T <sub>9</sub> inclusive | 48C147                  |
| C2          | Capacitor, variable: air dielectric; single section; 7 plates; min. cap. 3 mmfd., max. cap. 25 mmfd.; aluminum plates; ceramic insulation.  | ANTENNA tuning  | 48A039                  |
| C3          | Capacitor, fixed: mica dielectric; 330 mmfd. $\pm$ 10%; 500 V. D-C working:   | Secondary padder on transformer T <sub>5</sub>                              | CM20A331K               |
| C4          | Capacitor, fixed: mica dielectric; 2200 mmfd. $\pm$ 10%; 500 V. D-C working:  | Cathode by-pass for tube V <sub>1</sub>                                     | CM30A222K               |
| C5          | Same as C <sub>3</sub>  | Screen by-pass for tube V <sub>1</sub>                                      | -                       |
| C6          | Same as C <sub>4</sub>  | Plate return for tube V <sub>1</sub>  | -                       |
| C7          | Capacitor, fixed: ceramic dielectric; 10 mmfd. $\pm$ 10%; 500 V. D-C working; temp. coeff. -0.00055 mmfd/mmfd/deg. Cent.  | Coupling between tubes V <sub>1</sub> and V <sub>2</sub>                    | 47A006                  |
| C8          | Capacitor, fixed: mica dielectric; 8200 mmfd. $\pm$ 10%; 500 V. D-C working.  | A-V-C filter  | CM40A822K               |

|     |   |  |  |           |
|-----|---|--|--|-----------|
| C9  | Same as C3  |  | Coupling between oscillator tube V15 and mixer tube V2 | -         |
| C10 | Same as C3  |  | Screen by-pass for tube V2                             | -         |
| C11 | Capacitor, variable: air dielectric; small variable capacity formed between a 6-32 metal screw and a CRS plate 5/8" wd x 13/16" lg, rolled to 3/16" ID. |  | Trimmer adjustment for osc. tuning capacitor C1C       | 48A140    |
| C12 | Capacitor, fixed: paper dielectric; 1000 mmfd. + 100-20%; 600 V. D-C working; part of transformer T10   |  | A-V-C filter for tube V3                               | 47A121    |
| C13 | Same as C8  |  | Cathode by-pass for tube V3                            | -         |
| C14 | Same as C8  |  | Screen by-pass for tube V3                             | -         |
| C15 | Same as C8  |  | Plate return for tube V3                               | -         |
| C16 | Same as C12   |  | A-V-C filter for tube V4                               | -         |
| C17 | Same as C8  |  | Cathode by-pass for tube V4                            | -         |
| C18 | Same as C8  |  | Screen grid by-pass for tube V4                        | -         |
| C19 | Same as C8  |  | Plate return for tube V4                               | -         |
| C20 | Capacitor, fixed: mica dielectric; 47 mmfd. + 10%; 500 V. D-C working.  |  | Coupling between transformer T12 and Tube V5           | CM20A470K |
| C21 | Same as C8  |  | Cathode by-pass for tube V5                            | -         |



| Ref. Symbol | Name of Part and Description   | Function   | Hallicrafter's Part No. |
|-------------|--|--|-------------------------|
| C22         | Same as C8   | Screen grid by-pass for tube V <sub>5</sub>                            | -                       |
| C23         | Same as C8   | Plate return for tube V <sub>5</sub>                                   | -                       |
| C24         | Capacitor, fixed: mica dielectric; 56 mmfd. $\pm$ 10%; 500 V. D-C working.   | Diode return for tube V <sub>6</sub>                                   | CM20A560K               |
| C25         | Capacitor, fixed: paper dielectric; 0.05 mfd. $\pm$ 6 $\pm$ 14%; 600 V. D-C working.   | A-N-L by-pass  | 46A005                  |
| C26         | Same as C24  | Diode filter for tube V <sub>6</sub>                                   | -                       |
| C27         | Capacitor, fixed: mica dielectric; 100 mmfd. $\pm$ 10%; 500 V. D-C working.  | A-V-C filter   | CM20A101K               |
| C28         | Capacitor, fixed: mica dielectric; 560 mmfd. $\pm$ 10%; 500 V. D-C working.  | A-V-C filter   | CM30A561K               |
| C29         | Capacitor, fixed: ceramic dielectric; 25 mmfd. $\pm$ 10%; 500 V. D-C working; zero temp coeff; part of transformer T <sub>14</sub> | Coupling between tube V <sub>7</sub> and transformer T <sub>14</sub> . | 47A142                  |
| C30         | Same as C8   | Plate return for tube V <sub>7</sub>                                   | -                       |
| C31         | Same as C20  | Cathode by-pass for tube V <sub>8</sub>                                | -                       |
| C32         | Capacitor, fixed: mica dielectric; 560 mmfd. $\pm$ 10%; 500 V. D-C working.  | De-emphasis for tube V <sub>8</sub>                                    | CM25A561K               |

|     |  |  |   |            |
|-----|--|--|---|------------|
| C33 | Same as C8   |  | Coupling between tubes V <sub>6</sub> , V <sub>8</sub> and V <sub>9</sub> | -          |
| C34 | Capacitor, fixed: mica dielectric; 1000 mmfd $\pm$ 10%; 500 V. D-C working.  |  | Grid by-pass for tube V <sub>12</sub>                                     | CM30A102K  |
| C35 | Same as C <sub>25</sub>  |  | Tone control for tubes V <sub>11</sub> and V <sub>12</sub>                | -          |
| C36 | Same as C8   |  | Coupling between tubes V <sub>9</sub> and V <sub>12</sub>                 | -          |
| C37 | Same as C8   |  | Coupling between tubes V <sub>9</sub> and V <sub>11</sub>                 | -          |
| C38 | Capacitor, fixed: paper dielectric; 20 mfd. - 10 + 75%; 25 V. D-C working.   |  | Cathode by-pass for tube V <sub>9</sub>                                   | 46A011     |
| C39 | Same as C <sub>3</sub>   |  | Heater by-pass for tube V <sub>16</sub>                                   | -          |
| C40 | Same as C <sub>38</sub>  |  | Cathode by-pass for tube V <sub>9</sub>                                   | -          |
| C41 | Capacitor, fixed: ceramic dielectric; 8 mmfd $\pm$ 10%; 500 V. D-C working.  |  | Coupling between tubes V <sub>16</sub> and V <sub>1</sub>                 | CC20UK080K |
| C42 | Capacitor, fixed: paper dielectric; triple unit; unit #1 is 4 mfd. 650 V. D-C working (C <sub>42</sub> ); unit #2 is 8 mfd 650 V. D-C working (C <sub>43</sub> ); unit #3 is 8 mfd. 650 V. D-C working (C <sub>44</sub> ). |  | Power supply filter   | 42B043     |
| C43 |  |  | Heater by-pass for tube V <sub>15</sub>                                   | -          |
| C44 |  |  | Heater by-pass for tube V <sub>2</sub>                                    | -          |
| C45 | Same as C <sub>3</sub>   |  | Heater by-pass for tube V <sub>1</sub>                                    | -          |
| C46 | Same as C <sub>3</sub>   |  |   |            |
| C47 | Same as C <sub>3</sub>   |  |   |            |

| Ref. Symbol | Name of Part and Description  | Function  | Hallcrafters Part No. |
|-------------|---|---|-----------------------|
| C48         | Capacitor, fixed; mica dielectric; 8200 mmfd $\pm$ 20%; 500 V. D-C working; part of filter LF <sub>1</sub> .                            | Power line filter.  | CM35A822M             |
| C49         | Same as C48; part of filter LF <sub>1</sub>   | Power line filter.  | -                     |
| C50         | Same as C48; part of filter LF <sub>1</sub>   | Power line filter.  | -                     |
| C51         | Same as C48; part of filter LF <sub>1</sub>   | Power line filter.  | -                     |
| C52         | Same as C4  | Plate decoupling for tube V <sub>14</sub>                 | -                     |
| C53         | Capacitor, fixed; mica dielectric; 100 mmfd $\pm$ 20%; 500 V. D-C working; part of B-F-0 assembly I <sub>5</sub>                        | B-F-0 grid coupling                                       | CM20A101K             |
| C54         | Capacitor, fixed; ceramic dielectric; 200 mmfd $\pm$ 10%; 500 V. D-C working; zero temp. coeff; part of B-F-0 assembly I <sub>5</sub> . | B-F-0 tuning on I <sub>5</sub>                            | 47A026                |
| C55         | Same as C <sub>3</sub>  | Plate decoupling for tube V <sub>15</sub>                 | -                     |
| C56         | Capacitor, fixed; ceramic dielectric; 50 mmfd $\pm$ 2.5 mmfd; 500 V. D-C working; neg. 0.00085 mmfd/mmfd/deg. Cent.                     | Plate coupling for tube V <sub>15</sub>                   | 47A109                |
| C57         | Capacitor, fixed; ceramic dielectric; 1000 mmfd $\pm$ 20%; 500 V. D-C working.  | Grid coupling for tube V <sub>15</sub>                    | 47A132                |
| C58         | Capacitor, adjustable; mica dielectric; 450 mmfd $\pm$ 10%; bakelite mtg. insulation.   | Padder for transformer T <sub>7</sub>                     | 44A050                |
| C59         | Capacitor, fixed; twisted pair of leads to form 1 mmfd capacity.  | Coupling between tubes V <sub>14</sub> and V <sub>6</sub> | -                     |

|     |   |   |        |
|-----|---|---|--------|
| C60 | Capacitor, variable: air dielectric; min. cap. 3.5 mmfd, max. cap. 23 mmfd; ceramic insulation.   | Pitch control for tube T <sub>14</sub> .          | 48A064 |
| C61 | Same as C <sub>4</sub>  | Screen grid by-pass for tube V <sub>2</sub>       | -      |
| C62 | Same as C <sub>8</sub>  | Plate decoupling for tube V <sub>2</sub>          | -      |
| C63 | Capacitor, adjustable: ceramic dielectric; min. cap. 4 mmfd, max. cap. 20 mmfd; ceramic insulation.   | Secondary trimmer for transformer T <sub>4</sub>  | 44A076 |
| C64 | Capacitor, adjustable: ceramic dielectric; 4 to 20 mmfd; 300 V D-C working; screw driver adjustment.  | Secondary trimmer for transformer T <sub>5</sub>  | 44A101 |
| C65 | Same as C <sub>64</sub>   | Secondary trimmer for transformer T <sub>6</sub>  | -      |
| C66 | Capacitor, adjustable: air dielectric; 1 to 12 mmfd; bake-lite insulation; screw driver adjustment.   | Secondary trimmer for transformer T <sub>7</sub>  | 44A140 |
| C67 | Same as C <sub>66</sub>   | Secondary trimmer for transformer T <sub>8</sub>  | -      |
| C68 | Capacitor, fixed: ceramic dielectric; 100 mmfd $\pm$ 3%; 500 V D-C working; neg. 0.00005 mmfd temp. coeff.; part of transformer T <sub>10</sub> . | Primary trimmer for transformer T <sub>10</sub>   | 47A117 |
| C69 | Same as C <sub>68</sub> , part of transformer T <sub>10</sub> .   | Secondary trimmer for transformer T <sub>10</sub> | -      |
| C70 | Same as C <sub>68</sub> , part of transformer T <sub>11</sub> .   | Primary trimmer for transformer T <sub>11</sub>   | -      |

| Ref. Symbol | Name of Part and Description   | Function                              | Hallcrafters' Part No. |
|-------------|--|---------------------------------------|------------------------|
| C71         | Same as C68, part of transformer T11   | Secondary trimmer for transformer T11 | -                      |
| C72         | Same as C68, part of transformer T12   | Primary trimmer for transformer T12   | -                      |
| C73         | Same as C68, part of transformer T12   | Secondary trimmer for transformer T12 | -                      |
| C74         | Capacitor, fixed: ceramic dielectric; 50 mmfd $\pm$ 10%; 500 V. D-C working; zero temp. coeff; part of transformer T14 | Primary trimmer for transformer T14   | 47A091                 |
| C75         | Same as C74, part of transformer T14   | Secondary trimmer for transformer T14 | -                      |
| C76         | Same as C74, part of transformer T13.  | Primary trimmer for transformer T13   | -                      |
| C77         | Same as C74, part of transformer T13   | Secondary trimmer for transformer T13 | -                      |
| C78         | Same as C8.  | Plate decoupling for tube V1          | -                      |
| C79         | Capacitor, fixed: mica dielectric; 510 mmfd $\pm$ 10%; 500 V. D-C. working.  | Plate decoupling for V16              | CM20A511K              |

|                 |   |   |        |
|-----------------|---|---|--------|
| C80             | Same as C <sub>3</sub> .  | Coupling between antenna and grid of tube V <sub>16</sub> | -      |
| C81             | Same as C <sub>3</sub> .  | Cathode by-pass for tube V <sub>16</sub> .                | -      |
| C82             | Same as C <sub>3</sub> .  | Screen grid by-pass for tube V <sub>16</sub>              |        |
| FUSES           |   |   |        |
| FS <sub>1</sub> | Fuse: 3 amperes @250 V.; 4AG; glass enclosed.   | Power transformer primary protection                      | 39A318 |
| JACKS           |   |   |        |
| J <sub>1</sub>  | Jack, phone: switching-one make, one break.   | 600 ohm headset connector                                 | 36B008 |
| INDUCTORS       |   |   |        |
| L <sub>1</sub>  | Inductor, R-F: 75 turns of #38 SCE single layer winding; inductance 15.5 microhenries ± 10%; d-c resistance 4.10 ohms; color coded red. | Plate choke for tube V <sub>15</sub>                      | 53A008 |

| Ref. Symbol     | Name of Part and Description  | Function   | Hallicrafter's Part No. |
|-----------------|---|--|-------------------------|
| L <sub>2</sub>  | Inductor, line filter: 57 turns of #22 SCE universal winding; 46 microhenries inductance; part of filter LF <sub>1</sub> .  | Power line filter choke  | 53A082                  |
| L <sub>3</sub>  | Same as L <sub>2</sub> , part of filter LF <sub>1</sub>   | Power line filter choke  | -                       |
| L <sub>4</sub>  | Inductor, R-F: 42 turns of #28 SCE single layer winding; inductance 4.20 microhenries $\pm$ 10%; color coded blue.  | Choke for heater of tube V <sub>15</sub>   | 53A009                  |
| L <sub>5</sub>  | Inductor, beat frequency oscillator; assembly includes resistor R <sub>61</sub> and capacitors C <sub>53</sub> , C <sub>54</sub> , and C <sub>59</sub> ; tuned by adjustable iron core; unit shielded.  | Beat frequency oscillator (B-F-O) coil   | 54C024                  |
| L <sub>6</sub>  | Inductor assembly, filter: 2 section unit; section #1 inductance 3 henries - 10 + 30% @ 150 milliamperes; d-c resistance 85 ohms $\pm$ 10%; connected to solder lug terminals #2 and #3 (L <sub>6</sub> ); section #2 inductance 12 henries - 10 + 20%, @ 90 milliamperes; d-c resistance 215 ohms $\pm$ 10%; connected to solder lug terminals #1 and #2 (L <sub>7</sub> ); each section has a separate iron core. | Power supply filter choke  | 56C048                  |
| L <sub>7</sub>  |   |  |                         |
| L <sub>8</sub>  | Same as L <sub>4</sub>  | Choke for heaters of tubes V <sub>1</sub> , V <sub>2</sub> , V <sub>15</sub> , V <sub>16</sub> | -                       |
| L <sub>9</sub>  | Same as L <sub>4</sub>  | Choke for heater of tube V <sub>16</sub>   | -                       |
| L <sub>10</sub> | Same as L <sub>1</sub>  | Plate choke for tube V <sub>16</sub>   | -                       |

LINE FILTERS

|                 |   |  |        |
|-----------------|---|--|--------|
| LF <sub>1</sub> | Line filter assembly; consists of inductors L <sub>2</sub> and L <sub>3</sub> and capacitors C <sub>48</sub> , C <sub>49</sub> , C <sub>50</sub> and C <sub>51</sub> , mounted in drawn aluminum can. | A-C line filter  | 53C056 |
| LAMPS           |   |  |        |
| LM <sub>1</sub> | Lamp: bayonet base; 6 to 8 volts @ 250 milliamperes; glass bulb.  | Main tuning dial lamp  | 39A003 |
| LM <sub>2</sub> | Same as LM <sub>1</sub>   | Vernier tuning dial lamp                                       | -      |
| METERS          |   |  |        |
| M <sub>1</sub>  | Meter: 'S' meter; calibrated in "S" units; 160-0-40 microamperes movement.  | AM/FM tuning meter   | 82A065 |
| PLUGS           |   |  |        |
| PL <sub>1</sub> | Plug and line cord assembly: 2 conductor #18 type S-J all rubber covered cord 6 feet long with a spring type (allied type 371) molded on plug at one end.   | A-C power line connection                                      | 87A125 |
| PL <sub>2</sub> | Plug, octal male; supplied with insulated jumpers between contacts 3 and 4, and contacts 6 and 7  | Shorting plug for A-C operation and remote stand-by connection | 35A003 |



| Ref. Symbol    | Name of Part and Description  | Function  | Hallcrafters Part No. |
|----------------|---|---|-----------------------|
|                | Plug, co-axial, Navy type 49121   | Antenna connector                               | 10A134                |
| RESISTORS      |   |   |                       |
| R <sub>1</sub> | Resistor, fixed: 270 ohms $\pm$ 10%; $\frac{1}{2}$ watt; carbon; insulated. | Cathode bias for tube V <sub>1</sub> .          | RC21AE271K            |
| R <sub>2</sub> | Resistor, fixed; 1000 ohms $\pm$ 10%; 1/2 watt; carbon; insulated.          | Screen voltage dropping for tube V <sub>1</sub> | RC21AE102K            |
| R <sub>3</sub> | Same as R <sub>2</sub>  | Plate decoupling for tube V <sub>1</sub>        | -                     |
| R <sub>4</sub> | Resistor, fixed: 10,000 ohms $\pm$ 20%; 2 watt; carbon; insulated.          | Plate decoupling for tube V <sub>1</sub>        | RC41AE103M            |
| R <sub>5</sub> | Resistor, fixed: 2200 ohms $\pm$ 10%; 1/2 watt; carbon; insulated.          | Cathode bias for tube V <sub>2</sub>            | RC21AE222K            |
| R <sub>6</sub> | Same as R <sub>2</sub>  | Screen voltage dropping for tube V <sub>2</sub> | RC21AE104K            |
| R <sub>7</sub> | Resistor, fixed: 100,000 ohms $\pm$ 10%; 1/2 watt; carbon; insulated.       | Screen voltage dropping for tube V <sub>2</sub> | RC21AE104K            |
| R <sub>8</sub> | Resistor, fixed: 27,000 ohms $\pm$ 10%; 1/2 watt; carbon; insulated.        | Panoramic adapter decoupling                    | RC21AE273K.           |

|                 |   |   |            |
|-----------------|---|---|------------|
| R <sub>9</sub>  | Resistor, fixed: 10 ohms $\pm$ 10%; 1/2 watt; carbon; insulated   | 1st I-F band expansion on transformer T <sub>10</sub> | RC21AE100K |
| R <sub>10</sub> | Resistor, fixed: 100,000 ohms $\pm$ 10%; 1/2 watt; carbon; insulated; part of transformer T <sub>10</sub> . | A-V-C decoupling for tube V <sub>3</sub>              | RC10AE104K |
| R <sub>11</sub> | Resistor, variable: 10,000 ohm $\pm$ 20%; #8 reversed taper; includes switch (SW <sub>3</sub> ) on rear.    | R.F. GAIN control                                     | 25C059G    |
| R <sub>12</sub> | Resistor, fixed: 120 ohms $\pm$ 10%; 1/2 watt; carbon; insulated.   | Cathode bias for tube V <sub>9</sub>                  | RC20AE121K |
| R <sub>13</sub> | Resistor, fixed: 120 ohms $\pm$ 10%; 1/2 watt; carbon; insulated.   | Cathode bias for tube V <sub>3</sub>                  | RC21AE121K |
| R <sub>14</sub> | Resistor, fixed: 39,000 ohms $\pm$ 10%; 1/2 watt; carbon; insulated.  | Screen voltage dropping for tube V <sub>3</sub>       | RC21AE393K |
| R <sub>15</sub> | Resistor, fixed: 330 ohms $\pm$ 10%; 1/2 watt; carbon; insulated.   | Plate decoupling for tube V <sub>3</sub>              | RC21AE331K |
| R <sub>16</sub> | Same as R <sub>9</sub>  | 2nd I-F band expansion on transformer T <sub>11</sub> | -          |
| R <sub>17</sub> | Resistor, fixed: 470 ohms $\pm$ 10%; 1/2 watt; carbon; insulated.   | Plate decoupling for tube V <sub>5</sub>              | RC21AE471K |
| R <sub>18</sub> | Resistor, fixed: 33 ohms $\pm$ 10%; 1/2 watt; carbon; insulated.  | Parasitic suppressor for tube V <sub>5</sub>          | RC21AE330K |

| Ref. Symbol | Name of Part and Description   | Function  | Hallicrafter's Part No. |
|-------------|--|---|-------------------------|
| R19         | Same as R10, part of transformer T11   | A-V-C decoupling for tube V4                      | -                       |
| R20         | Same as R13  | Cathode bias for tube V4                          | -                       |
| R21         | Same as R2   | Screen voltage dropping for tube V4               | -                       |
| R22         | Same as R15  | Plate decoupling for tube V4                      | -                       |
| R23         | Same as R9   | 3rd I-F band expansion on transformer T12         | -                       |
| R24         | Resistor, fixed: 470,000 ohms $\pm$ 10%; 1/2 watt; carbon; insulated                         | Grid return for tube V5                           | RC21AE474K              |
| R25         | Same as R15  | Cathode bias for tube V5                          | -                       |
| R26         | Same as R9   | Parasitic suppressor for tube V1                  | -                       |
| R27         | Same as R2   | Plate decoupling for tube V5                      | -                       |
| R28         | Resistor, fixed; 7500 ohms $\pm$ 5%; 10 watt; wire wound; coated with baked vitreous enamel; | Screen voltage dropping for tubes V1, V5, and V7. | 24BG752D                |

|     |   |  |  |            |
|-----|---|--|--|------------|
| R29 | Same as R5  |  | Screen and plate voltage dropping for tube V7  | -          |
| R30 | Resistor, fixed; 22,000 ohms $\pm$ 10%; 2 watt; carbon; insulated.    |  | Screen voltage divider for tube V7             | RC41AE223K |
| R31 | Resistor, fixed; 47,000 ohms $\pm$ 10%; 1/2 watt; carbon; insulated.  |  | Diode load for tube V6                         | RC21AE473K |
| R32 | Resistor, fixed; 1 megohm $\pm$ 10%; 1/2 watt; carbon; insulated.     |  | A-N-L load                                     | RC21AE105K |
| R33 | Same as R7  |  | Diode load for tube V6                         | -          |
| R34 | Resistor, fixed; 220,000 ohms $\pm$ 10%; 1/2 watt; carbon; insulated. |  | Diode load for tube V6                         | RC21AE224K |
| R35 | Same as R24   |  | A-V-C decoupling                               | -          |
| R36 | Same as R34   |  | Diode load for tube V6                         | -          |
| R37 | Resistor, fixed; 15,000 ohms $\pm$ 10%; 1/2 watt; carbon; insulated   |  | Primary load for discriminator transformer T14 | RC21AE153K |

| Ref. Symbol     | Name of Part and Description  | Function                                    | Hallicrafter's Part No. |
|-----------------|---|---|-------------------------|
| R <sub>38</sub> | Resistor, fixed: 56,000 ohms $\pm$ 10%; 1/2 watt; carbon; insulated.  | Grid return for tube V <sub>7</sub>         | RC2LAE563K              |
| R <sub>39</sub> | Same as R <sub>34</sub>   | Grid return for tube V <sub>7</sub>         | -                       |
| R <sub>40</sub> | Same as R <sub>7</sub>  | Diode load for tube V <sub>8</sub>          | -                       |
| R <sub>41</sub> | Same as R <sub>7</sub>  | Diode load for tube V <sub>8</sub>          | -                       |
| R <sub>42</sub> | same as R <sub>34</sub>   | De-emphasis network for tube V <sub>8</sub> | -                       |
| R <sub>43</sub> | Resistor, variable: 1 megohm $\pm$ 20%; carbon: #6 taper.             | A.F. GAIN control                           | 25C059                  |
| R <sub>44</sub> | Same as R <sub>34</sub>   | Plate load for tube V <sub>9</sub>          | -                       |
| R <sub>45</sub> | Same as R <sub>34</sub>   | Plate load for tube V <sub>9</sub>          | -                       |
| R <sub>46</sub> | Resistor, fixed: 3300 ohms $\pm$ 10%; 1/2 watt; carbon; insulated;    | Cathode bias for tube V <sub>9</sub>        | RC2LAE332K              |
| R <sub>47</sub> | Same as R <sub>46</sub>   | Cathode bias for tube V <sub>9</sub>        | -                       |
| R <sub>48</sub> | Resistor, fixed: 100,000 ohms $\pm$ 20%; 1/2 watt; carbon; insulated. | Grid bias for tube V <sub>2</sub> on band 2 | RC2LAE104M              |
| R <sub>49</sub> | Same as R <sub>34</sub>   | Grid return for tube V <sub>11</sub>        | -                       |

|     |  |                                      |            |
|-----|--|--------------------------------------|------------|
| R50 | Same as R34  | Grid return for tube V12             | -          |
| R51 | Same as R7   | Grid return for tube V9              | -          |
| R52 | Resistor, fixed: 220 ohms $\pm$ 10%; 2 watt; carbon; insulated.                              | Cathode bias for tubes V11 and V12   | RC41AE221K |
| R53 | Resistor, fixed: 3900 ohms $\pm$ 10%; 2 watt; carbon; insulated.                             | Tone control feed back impedance     | RC40AE392K |
| R54 | Same as R8.  | Screen voltage dropping for tube V16 |            |
| R55 | Same as R18  | Degeneration for tube V4             | -          |
| R56 | Same as R24  | "S" meter current limiting           | -          |
| R57 | Same as R18  | "S" meter shunt                      | -          |
| R58 | Resistor, variable: 1500 ohms $\pm$ 20%; wire wound; st. line taper;                         | "S" meter "O" setting control        | 25C060     |
| R59 | Resistor, fixed: 3300 ohms $\pm$ 5%; 10 watt; wire wound; coated with baked vitreous enamel. | Voltage dropping for tube V10        | 24BG332D   |

| Ref. Symbol | Name of Part and Description   | Function                          | Hallcrafters Part No. |
|-------------|--|-----------------------------------|-----------------------|
| R60         | Same as R30  | Plate decoupling for tube V14     | -                     |
| R61         | Resistor, fixed: 47,000 ohms $\pm$ 10%; 1/2 watt; carbon; insulated; part of B-F-0 assembly L5 | Grid return for tube V14          | RC20AE473K            |
| R62         | Same as R15  | Plate decoupling for tube V15     | -                     |
| R63         | Resistor, fixed: 4700 ohms $\pm$ 10%; 1/2 watt; carbon; insulated.                             | Plate decoupling for tube V15     | RC21AE472K            |
| R64         | Resistor, fixed: 22,000 ohms $\pm$ 10%; 1/2 watt; carbon; insulated.                           | Grid return for tube V15          | RC21AE223K            |
| R65         | Same as R18  | Grid current limiter for tube V15 | -                     |
| R66         | Resistor, fixed: 6 ohms $\pm$ 10%; 1/2 watt; carbon; insulated.                                | Grid current limiter for tube V15 | 23A011                |
| R67         | Same as R2   | Plate decoupling for tube V2      | -                     |
| R68         | Resistor, fixed: 8 ohms $\pm$ 10%; 1/2 watt; carbon; insulated.                                | Grid current limiter for tube V15 | 23A019                |
| R69         | Resistor, fixed: 15,000 ohms $\pm$ 20%; 1/2 watt; carbon; insulated.                           | Tone control feed back impedance  | RC20AE153M            |

|         |   |  |  |            |
|---------|---|--|--|------------|
| R70     | Same as R52   |  | Parasitic suppressor for tube V2                 | -          |
| R71     | Same as R37   |  | Secondary load for discriminator transformer T14 | -          |
| R72     | Same as R5  |  | Cathode bias for tube V3                         | -          |
| R73     | Resistor, fixed: 4700 ohms $\pm$ 10%; 1/2 watt; carbon; insulated |  | Grid return for tube V16                         | RC21AE472K |
| R74     | Resistor, fixed: 220 ohms $\pm$ 10%; 1/2 watt; carbon; insulated  |  | Cathode bias for tube V16                        | RC21AE221K |
| SOCKETS |   |  |  |            |
| S01     | Socket, octal: female; high dielectric mica filled bakelite.      |  | D-C power input and remote stand-by connection   | 6A200      |
| S02     | Connector, co-axial: type CN-49194                                |  | Panoramic adapter input.                         | 10A056     |
| S03     | Connector, co-axial: type CN-49120                                |  | Antenna input                                    | 36A018     |



| Ref. Symbol      | Name of Part and Description  | Function                            | Hallcrafters' Part No. |
|------------------|---|-------------------------------------|------------------------|
| SWITCHES         |   |                                     |                        |
| SW <sub>1</sub>  | Switch, rotary selector: 3 position, single pole, 7 section; non-shorting type contacts; ceramic wafers.  | BAND SWITCH                         | 60B181                 |
| SW <sub>2</sub>  | Switch, toggle: SPST; rated 3 amperes @ 250 V.  | B.F.O. switch                       | 60A175                 |
| SW <sub>3</sub>  | Switch, toggle action: SPST; part of resistor R58   | "S" meter switch                    | -                      |
| SW <sub>4</sub>  | Same as SW <sub>2</sub>   | A.V.C. switch                       | -                      |
| SW <sub>5</sub>  | Same as SW <sub>2</sub>   | REC./SEND switch                    | -                      |
| SW <sub>6</sub>  | Switch, toggle: DPST; rated 3 amperes @ 250 V.  | A.N.I. switch                       | 60A123                 |
| SW <sub>7</sub>  | Switch, rotary selector: 3 section 3 position; 2 shields separate section #1 from rest of the assembly; a single pole A-C power switch is included at rear and is open at position #1, and closed in positions #2 and #3; | SELECTIVITY control and A.C. switch | 60B178                 |
| SW <sub>8</sub>  | Switch, rotary selector: single section 2 position  | A.M./F.M. switch                    | 60A177                 |
| SW <sub>9</sub>  | Switch, rotary selector: 3 circuit; single section 4 position.  | TONE switch                         | 60B212                 |
| SW <sub>10</sub> | Switch, toggle: DPDT, rated 3 amperes @ 250 V.  | 115/230 volt A-C change over        | 60A090                 |

TRANSFORMERS

|    |  |  |        |
|----|--|--|--------|
| T1 | Transformer, R-F: 27.8 to 47 megacycles. | Coupling between radiation suppressor and grid of tube V <sub>1</sub> for band 1 | 51A265 |
| T2 | Transformer, R-F: 46 to 82 megacycles.   | Coupling between radiation suppressor and grid of tube V <sub>1</sub> for band 2 | 51A268 |
| T3 | Transformer, R-F: 82 to 143 megacycles.  | Coupling between radiation suppressor and grid of tube V <sub>1</sub> for band 3 | 51A792 |
| T4 | Transformer, R-F: 27.8 to 47 megacycles. | Coupling between tubes V <sub>1</sub> and V <sub>2</sub> for band 1              | 51B793 |
| T5 | Transformer, R-F: 46 to 82 megacycles.   | Coupling between tubes V <sub>1</sub> and V <sub>2</sub> for band 2              | 51B794 |
| T6 | Transformer, R-F: 82 to 143 megacycles.  | Coupling between tubes V <sub>1</sub> and V <sub>2</sub> for band 3              | 51A776 |
| T7 | Transformer, R-F: 27.8 to 47 megacycles. | Tuned circuit of oscillator stage for band 2                                     | 51A267 |
| T8 | Transformer. R-F: 46 to 82 megacycles.   | Tuned circuit of oscillator stage for band 2                                     | 51A270 |

| Ref. Symbol | Name of Part and Description   | Function  | Hallcrafters' Part No. |
|-------------|--|---|------------------------|
| T9          | Transformer, R-F: 82 to 143 megacycles.  | Tuned circuit of oscillator stage for band 3              | 51B778                 |
| T10         | Transformer, intermediate-frequency: 5.25 megacycles; fixed trimmer capacitors (C68) and (C69), a fixed resistor (R10) and a fixed capacitor (C12) complete the assembly;  | Coupling between tubes V2 and V3                          | 50C140                 |
| T11         | Transformer, intermediate-frequency: 5.25 megacycles; fixed trimmer capacitors (C70) and (C71), a fixed resistor (R19) and a fixed capacitor (C16) complete the assembly.  | Coupling between tubes V3 and V4                          | 50C141                 |
| T12         | Transformer, intermediate-frequency: 5.25 megacycles; fixed trimmer capacitors (C72) and (C73), complete the assembly.   | Coupling between tubes V4 and V5                          | 50C142                 |
| T13         | Transformer, intermediate-frequency: 5.25 megacycles; fixed trimmer capacitors (C76) and (C77) complete the assembly.  | Coupling between tubes V5 and V6                          | 50C143                 |
| T14         | Transformer, discriminator: 5.25 megacycles; fixed trimmer capacitors (C74) and (C75), and a fixed coupling capacitor (C29) complete the assembly.   | Coupling between tubes V7 and V8                          | 50C144                 |
| T15         | Transformer, A-F: one primary and 2 secondary windings; primary to match a 12,000-ohm push-pull load @ 35 ma. for each tube; first secondary to match a load of 600 ohms, center tapped; second secondary to match a load of 5000 ohms and 500 ohms. | Coupling between audio out-put tubes V11 and V12 and load | 550062                 |

|                 |  |  |         |
|-----------------|--|--|---------|
| T16             | <p>Transformer, power: primary, 2 section winding connected in parallel for 115 V. A-C, and connected in series for 230 V. A-C operation, 50/60 cycles, single phase; first secondary center tapped to provide 270 V. D-C @ 150 milliamperes across 10 mfd. capacitor and a 2 henry 85 ohm choke with a 5U4G rectifier tube; second secondary 6.4 V A-C @ 4 amperes; third secondary 5 V. A-C @ 3 amperes.</p> | A-C power transformer.   | 52C084  |
| TERMINAL BOARDS |  |  |         |
| TS1             | <p>Board, terminal: output; consists of vacuum impregnated natural linen bakelite, marked "600 OHM CENTER TAP - GND. and 500 OHM, 5000 OHM-GND",</p>   | 500 ohm, 5000-ohm and center tap of 600-ohm output connections | 41X6506 |
| TUBES           |  |  |         |
| V1              | Tube, acorn pentode, type 956  | R-F amplifier  | 90X956  |
| V2              | Tube, acorn pentode, type 954  | Converter  | 90X954  |
| V3              | Tube, R-F pentode, type 6AC7   | 1st I-F amplifier  | 90X6AC7 |
| V4              | Tube, R-F pentode, type 6AB7   | 2nd I-F amplifier  | 90X6AB7 |
| V5              | Tube, R-F pentode, type 6SK7   | 3rd I-F amplifier  | 90X6SK7 |
| V6              | Tube, double diode, type 6H6   | A-M second detector  | 90X6H6  |

| Ref. Symbol | Name of Part and Description             | Function                  | Hallicrafter's Part No. |
|-------------|--|---------------------------|-------------------------|
| V7          | Same as V3                               | F-M limiter               |                         |
| V8          | Same as V6                               | F-M discriminator         |                         |
| V9          | Tube, twin triode, type 6SL7GT           | Audio voltage amplifier   | 90X6SL7GT               |
| V10         | Tube, gas filled diode, type OD3/VR-150  | Voltage regulator         | 90XVR-150/30            |
| V11         | Tube, beam power amplifier, type 6V6GT/G | Audio power amplifier     | 90X6V6GT/G              |
| V12         | Same as V11                              | Audio power amplifier     |                         |
| V13         | Tube, full wave diode, type 5U4G         | Plate supply rectifier    | 90X5U4G                 |
| V14         | Tube, triode amplifier, type 6J5         | Beat frequency oscillator | 90X6J5                  |
| V15         | Tube, acorn triode, type 955             | High frequency oscillator | 90X955                  |
| V16         | Same as V1                               | Radiation suppressor      |                         |